



Sincere opening stone
Wander about the world

"Focus On Water Pump"

Professional | Manufacturer of Sewage Pumps
and Cutter Pumps

CCTV CCTV exhibition brand

Quality Management System Certification
ISO9001-2021



Zhejiang Jinbu Pump Industry
Technology Co., Ltd

Address: Building 9, Maozhuxia Industrial Zone, Daxi Town,
Wenling City, Taizhou City, Zhejiang Province
Mailbox: 2309721481@qq.com P.C:317525
National service hotline: 0576-86361173





about us

jinbu

Zhejiang Jinbu Pump Industry Technology Co., Ltd. is a modern enterprise specializing in the manufacturing of pump products. After years of entrepreneurial development, it now possesses strong design, production capabilities, and a quality assurance system. Since its establishment, our company has been focused on the technical research and development, as well as marketing and promotion, of national standard sewage pump products. The development and design of products and process compilation all adopt new CAD and CAPP technologies. With a strict quality control system, special personnel are assigned to oversee and control key processes. The company is equipped with various high-precision testing and analysis instruments and advanced numerical control production equipment.

Our company always advocates the business philosophy of "people-oriented and technological innovation"; adhering to the honest service spirit of "products reflect character", relying on humanized management and an excellent team spirit, we have gathered a large number of pump industry elites and national-level experts from various places. With high-quality corporate employees, a flexible corporate mechanism, and an outstanding marketing team, Jinbu Pump Industry has forged ahead and progressed steadily in the turbulent market waves. Our products are widely used in mining, metallurgy, coal, electricity, petroleum, chemicals, environmental protection, papermaking, municipal administration, and other industries. High-quality products and good service have won the praise of users both domestically and internationally.

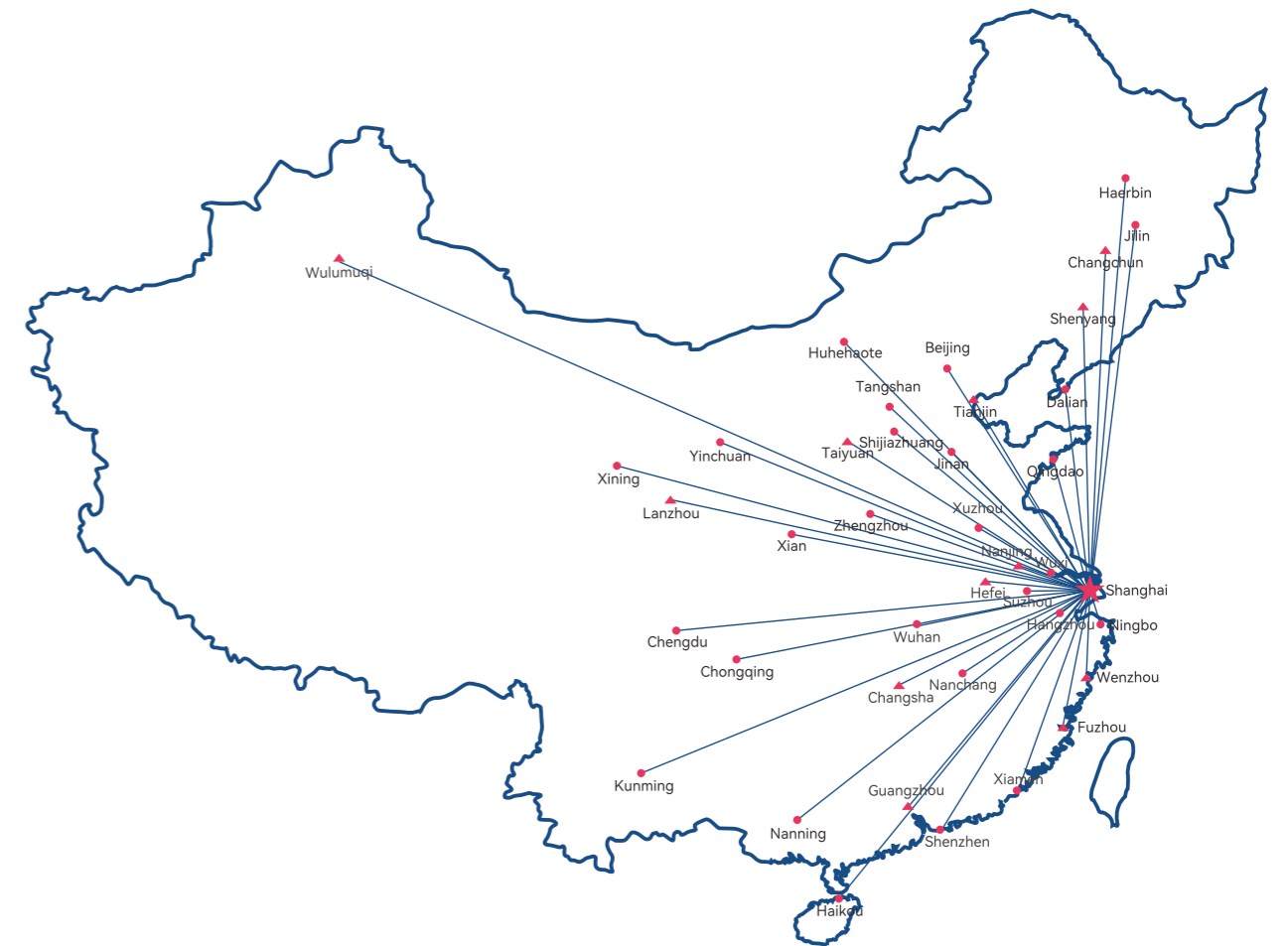
field application

Zhejiang Jinbu Pump Industry Technology Co., Ltd. was established in 2013. Its products are mainly used in sewage treatment, river and flood sewage discharge, emergency drainage, municipal engineering, basement sewage discharge, etc. The main products are sewage pumps, cutter pumps, etc., with product diameters ranging from DN25-600. The company holds ISO9001 certification and has an annual output value of more than 30 million yuan. Over the years, it has successively served major water conservancy projects. In 2021, we collaborated with Xianning City Drainage Management Office, Zhejiang Dongyang Third Construction Engineering Co., Ltd., Hefei Construction Engineering Group Co., Ltd., Hebei Dongyang Third Construction Engineering Co., Ltd., Chunhe Tianpu Environmental Technology Co., Ltd., and Qinghai Tianpu Environmental Protection Technology Co., Ltd.

In 2022, we collaborated with Hefei Construction Engineering Group Co., Ltd. and Guangdong Wanji Construction Group Co., Ltd. In 2023, we initiated cooperation with Fujian Wujian Construction Group Co., Ltd., Shenyang Guoneng Power Engineering Co., Ltd., and Foshan Dingnuo Environmental Co., Ltd. After more than ten years of research and development, our products are widespread domestically and exported to Indonesia, Vietnam, South America, and many other countries. With their unique fashionable appearance and excellent quality, our products have received unanimous praise from our customers. We enjoy a good reputation and evaluation both domestically and internationally. We have always insisted on manufacturing the best products with dedication and sincerely look forward to your cooperation.



we aspire to do more for this world.



hot-line service

The company has established a complete service system, with a service hotline providing pre-sale, in-sale, and after-sale consultation and technical services to customers at any time.

fast freight

With a mature shipment process and a professional logistics status inquiry system, we ensure that customers receive the required goods in the shortest possible time.

after sell service

Our intelligent online monitoring platform provides real-time control over equipment operation status, and our excellent after-sales service team arrives at the scene as quickly as possible.



Zhejiang Jinbu
Pump Industry Technology Co., Ltd



Hello.

No.1

PRODUCT CATALOG PUMP

SEWAGE CUTTING SERIES

SLWQ Taiwan-style Cutter Sewage Pump	01
SLWQ Taiwan-style Cutter Sewage Pump	02
SLWQ Taiwan-style Cutter Sewage Pump2P Taiwan-style Cutter Sewage Pump4P	03
WQ Taiwan-Style High-Quality Submersible Sewage Pump (Double machine seal)	04
WQ Wenzhou-Style National Standard Sewage Pump (11-15-2P)(18.5-22-2P)	05
WQ Wenzhou-Style Standard Flange Submersible Sewage Pump series	06
Wq Wenzhou-Style Standard Flange Submersible Sewage Pump series 2P	07
Wq Wenzhou-Style Standard Flange Submersible Sewage Pump series 4P	08
WQ Wenzhou-Style Standard Flange Submersible Sewage Pump series 4P/6P/8P	09

No.2

SEWAGE CUTTING SERIES

WQ Wenzhou-Style Standard Flange Submersible Sewage Pump series 4P/6P/8P	10
WQ Wenzhou-Style Standard Flange Submersible Sewage Pump series 4P/6P/8P	11
WQ Wenzhou-Style Standard Flange Submersible Sewage Pump series 4P/6P/8P	12
JYWQ National Standard Flange Automatic Mixing Submersible Sewage Pump	13
JYWQ National Standard Flange Automatic Mixing Submersible Sewage Pump	14
WQ/WQD/JYWQ/JYWQD Submersible Electric Pump for Sewage (Water Circulation)	15
WQX Taiwan-Style Engineering Sewage Pump	16
WQ Filament small sewage pump	17
QY Hangzhou oil-immersed submersible electric pump (145 barrel)	18-19
QY Hangzhou oil-immersed submersible electric pump	19-21
WQ-S Submersible electric pump for sewage (304 stainless steel)	22

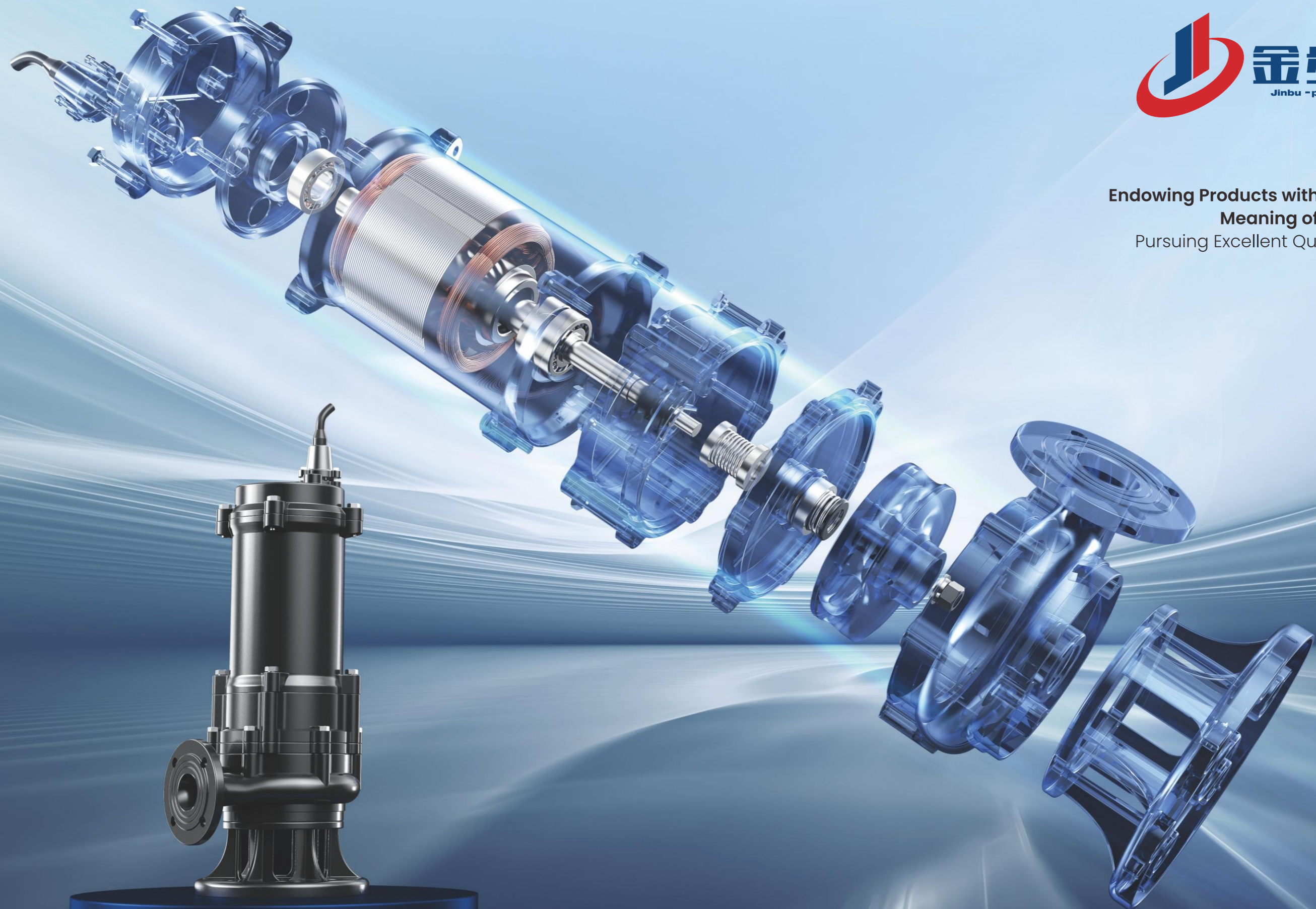
No.3

SEWAGE CUTTING SERIES

WQ(D)-S Small sewage pumps	23
Q(D)X-SSmall submersible electric pump	24
WBZ(L)-S Self-priming(Centrifugal) Corrosion-resistant Mini Electric Pump	25
Coupling DN Self-coupling Device	26
Coupling Installation Diagram (Light Duty)	27
Coupling Installation Diagram (Extra Heavy/Heavy Duty)	28
Coupling Installation Diagram (Heavy Duty)	29
WQ Taiwanese sewage submersible pump Installation drawing (0.75KW-22KW) 2P	30
WQ Wenzhou sewage submersible pump Installation diagram (5.5KW-45KW) 4P	31
WQ Taiwanese sewage submersible pump Installation drawing (55KW-132KW) 4P	32
SLWQ Taiwan-style Cutter Sewage Pump Installation drawing(0.75KW-15KW) 2P	33
SLWQ Taiwan-style Cutter Sewage Pump Installation drawing(11kw-22kw)4P	34
Installation diagram of the water pump outlet	34



Endowing Products with the
Meaning of Life
Pursuing Excellent Quality

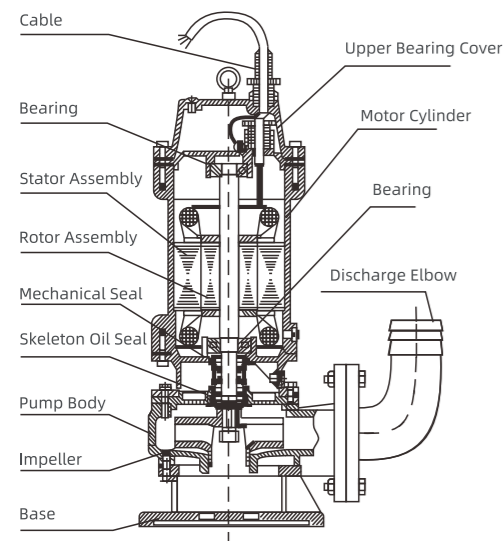


SLWQ Taiwan-style Cutter Sewage Pump

slwq taiwan-style cutter sewage pump



Product Chart:



Overview:

This series of electric pumps consists of three main components: a water pump, a sealing mechanism, and an electric motor. The electric motor, which can be single-phase or three-phase asynchronous, is located at the top of the pump. The water pump, situated at the bottom, features a flow channel impeller and a volute structure. A mechanical seal is employed between the water pump and the electric motor, and O-shaped oil-resistant rubber sealing rings are used for static sealing at each fixed sealing interface to ensure the reliability of the electric pump. The rotor shaft of the electric pump undergoes heat treatment to ensure superior mechanical strength, effectively enhancing its wear resistance and corrosion resistance, and also facilitating the maintenance and disassembly of the impeller.

This series of electric pumps is widely used in industrial, agricultural, mining, construction, municipal environmental protection, and other settings. They can pump liquids containing solid particles or soft solids such as short fibers, paper scraps, sediment, etc., including muddy water, ash water, domestic wastewater, sewage, manure, and urine. They are ideal water conservancy equipment for agricultural irrigation and drainage, river and pond dredging, and construction site operations, but are not suitable for explosive environments. Some specifications feature flow channel impellers, significantly enhancing the pump's anti-clogging capability. Others are designed based on the full head theory, enabling the electric pump to operate without overloading under normal conditions and effectively prolonging the service life of the motor.

Cutting Blade Made of Alloy Material:

This blade cuts through debris (such as straw, gloves, towels, etc.) and discharges it through the wide flow channel impeller.

Main Impeller:

The spiral oblique flow channel, made of special wear-resistant alloy, features an open impeller design that allows debris to pass through without clogging, providing exceptional product performance.

Technical parameter

Product Model	Flow Rate	Head	Frequency	Synchronized Speed	Power	Pipe Diameter	Voltage	Current
	(m ³ /h)	(m)	(Hz)	(r/min)	(kW)	(mm)	(V)	(A)
50SLWQ10-10-0.75KW	10	10	50	2860	0.75	50	380	2
50SLWQ7-15-1.1KW	7	15	50	2860	1.1	50	380	2.8
65SLWQ15-9-1.1KW	15	9	50	2860	1.1	65	380	2.8
50SLWQ15-15-1.5KW	15	15	50	2860	1.5	50	380	3.2
65SLWQ25-10-1.5KW	25	10	50	2860	1.5	65	380	3.2
50SLWQ9-22-2.2KW	9	22	50	2860	2.2	50	380	5.0
65SLWQ15-20-2.2KW	15	20	50	2860	2.2	65	380	5.0
80SLWQ45-9-2.2KW	45	9	50	2860	2.2	80	380	5.0
50SLWQ15-25-3KW	15	25	50	2860	3	50	380	6.5
65SLWQ25-20-3KW	25	20	50	2860	3	65	380	6.5
80SLWQ43-13-3KW	43	13	50	2860	3	80	380	6.5
50SLWQ15-30-4KW	15	30	50	2860	4	50	380	8.9
65SLWQ20-25-4KW	20	25	50	2860	4	65	380	8.9
80SLWQ40-15-4KW	40	15	50	2860	4	80	380	8.9
100SLWQ60-10-4KW	60	10	50	2860	4	100	380	8.9
80SLWQ30-30-5.5KW	30	30	50	2860	5.5	80	380	12.0
100SLWQ65-18-5.5KW	65	18	50	2860	5.5	100	380	12.0
80SLWQ45-22-7.5KW	45	22	50	2860	7.5	80	380	16.0
100SLWQ80-15-7.5KW	80	15	50	2860	7.5	100	380	16.0
150SLW100-10-7.5KW	100	10	50	2860	7.5	150	380	16.0

SLWQ Taiwan-style Cutter Sewage Pump **2P**

Technical parameter

Product Model	Flow Rate	Head	Frequency	Synchronized Speed	Power	Pipe Diameter	Voltage
	(m ³ /h)	(m)	(Hz)	(r/min)	(kW)	(mm)	(V)
50SLWQ20-45-11KW	20	45	50	2860	11	50	380
65SLWQ30-40-11KW	30	40	50	2860	11	65	380
80SLWQ40-35-11KW	40	35	50	2860	11	80	380
100SLWQ80-25-11KW	80	25	50	2860	11	100	380
150SLWQ150-12-11KW	150	12	50	2860	11	150	380
200SLWQ200-9-11KW	200	9	50	2860	11	200	380
50SLWQ20-50-15KW	20	50	50	2860	15	50	380
65SLWQ30-35-15KW	30	35	50	2860	15	65	380
80SLWQ45-40-15KW	45	40	50	2860	15	80	380
100SLWQ80-35-15KW	80	35	50	2860	15	100	380
150SLWQ150-20-15KW	150	20	50	2860	15	150	380
200SLWQ220-12-15KW	220	12	50	2860	15	200	380

SLWQ Taiwan-style Cutter Sewage Pump **4P**

Technical parameter

Product Model	Flow Rate	Head	Frequency	Synchronized Speed	Power	Pipe Diameter	Voltage
	(m ³ /h)	(m)	(Hz)	(r/min)	(kW)	(mm)	(V)
100SLWQ100-25-11KW	100	25	50	1450	11	100	380
150SLWQ180-11-11KW	180	11	50	1450	11	150	380
200SLWQ300-7-11KW	300	7	50	1450	11	200	380
100SLWQ100-30-15KW	100	30	50	1450	15	100	380
150SLWQ200-15-15KW	200	15	50	1450	15	150	380
200SLWQ250-11-15KW	250	11	50	1450	15	200	380
100SLWQ100-35-18.5KW	100	35	50	1450	18.5	100	380
150SLWQ180-20-18.5KW	180	20	50	1450	18.5	150	380
200SLWQ250-10-18.5KW	250	10	50	1450	18.5	200	380
100SLWQ100-40-22KW	100	40	50	1450	22	100	380
150SLWQ200-22-22KW	200	22	50	1450	22	150	380
200SLWQ300-16-22KW	300	16	50	1450	22	200	380

WQ Taiwan-style Cutter Sewage Pump **Double machine seal**

Technical parameter



Product Model	Flow Rate	Head	Frequency	Synchronized Speed	Power	Pipe Diameter	Voltage
	(m ³ /h)	(m)	(Hz)	(r/min)	(kW)	(mm)	(V)
50WQ10-10-0.75	10	10	50	3000	0.75	50	380
50WQ7-15-1.1	7	15	50	3000	1.1	50	380
65WQ15-9-1.1	15	9	50	3000	1.1	65	380
50WQ15-15-1.5	15	15	50	3000	1.5	50	380
65WQ25-10-1.5	25	10	50	3000	1.5	65	380
50WQ9-22-2.2	9	22	50	3000	2.2	50	380
65WQ15-20-2.2	15	20	50	3000	2.2	65	380
80WQ45-9-2.2	45	9	50	3000	2.2	80	380
100WQ50-7-2.2	50	7	50	3000	2.2	100	380
50WQ15-30-3	15	30	50	3000	3	50	380
65WQ25-20-3	25	20	50	3000	3	65	380
80WQ50-10-3	50	10	50	3000	3	80	380
100WQ60-9-3	60	9	50	3000	3	100	380
50WQ15-35-4	15	35	50	3000	4	50	380
65WQ25-26-4	25	26	50	3000	4	65	380
80WQ40-15-4	40	15	50	3000	4	80	380
100WQ60-10-4	60	10	50	3000	4	100	380
50WQ15-40-5.5	15	40	50	3000	5.5	50	380
65WQ25-32-5.5	25	32	50	3000	5.5	65	380
80WQ30-30-5.5	30	30	50	3000	5.5	80	380
100WQ65-18-5.5	65	18	50	3000	5.5	100	380
50WQ20-40-7.5	20	40	50	3000	7.5	50	380
65WQ30-36-7.5	30	36	50	3000	7.5	65	380
80WQ45-22-7.5	45	22	50	3000	7.5	80	380
100WQ80-15-7.5	80	15	50	3000	7.5	100	380
150WQ100-10-7.5	100	10	50	3000	7.5	150	380

WQ Wenzhou-Style National Standard Sewage Pump

11-15-2P 18.5-22-2P

Technical parameter



Product Model	Flow Rate	Head	Synchronized Speed	Power	Pipe Diameter	Voltage
	(m ³ /h)	(m)	(r/min)	(kW)	(mm)	(V)
65WQ25-50-11KW	25	50	3000	11	65	380
80WQ40-40-11KW	40	40	3000	11	80	380
100WQ60-30-11KW	60	30	3000	11	100	380
100WQ80-25-11KW	80	25	3000	11	100	380
150WQ100-20-11KW	100	20	3000	11	150	380
150WQ150-12-11KW	150	12	3000	11	150	380
200WQ200-9-11KW	200	9	3000	11	200	380
65WQ30-55-15KW	30	55	3000	15	65	380
80WQ45-52-15KW	45	52	3000	15	80	380
100WQ60-40-15KW	60	40	3000	15	100	380
100WQ80-35-15KW	80	35	3000	15	100	380
150WQ100-30-15KW	100	30	3000	15	150	380
150WQ150-20-15KW	150	20	3000	15	150	380
200WQ220-12-15KW	220	12	3000	15	200	380

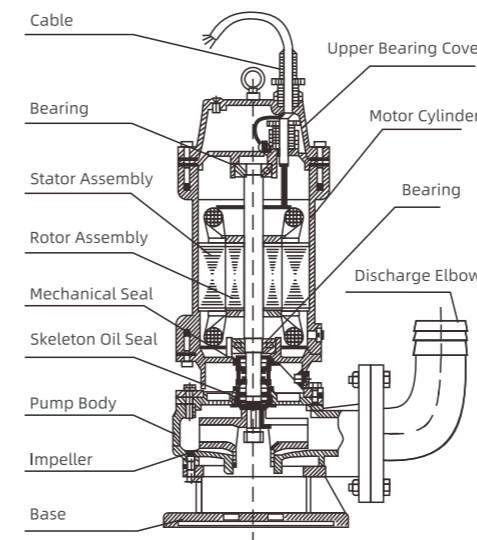


Product Model	Flow Rate	Head	Synchronized Speed	Power	Pipe Diameter	Voltage
	(m ³ /h)	(m)	(r/min)	(kW)	(mm)	(V)
65WQ30-68-18.5KW	30	68	2860	18.5	2.5/65	380
80WQ60-45-18.5KW	60	45	2860	18.5	3/80	380
100WQ80-40-18.5KW	80	40	2860	18.5	4/100	380
150WQ100-36-18.5KW	100	36	2860	18.5	6/150	380
200WQ180-18-18.5KW	180	18	2860	18.5	8/200	380
65WQ30-75-22KW	30	75	2860	22	2.5/65	380
80WQ60-50-22KW	60	50	2860	22	3/80	380
100WQ80-45-22KW	80	45	2860	22	4/100	380
150WQ100-40-22KW	100	40	2860	22	6/150	380
200WQ200-20-22KW	200	20	2860	22	8/200	380

WQ Wenzhou-Style Standard Flange Submersible Sewage Pump



Product Chart:




Overview:

This series of electric pumps consists of three main components: a water pump, a sealing mechanism, and an electric motor. The electric motor, which can be single-phase or three-phase asynchronous, is located at the top of the pump. The water pump, situated at the bottom, features a flow channel impeller and a volute structure. A mechanical seal is employed between the water pump and the electric motor, and O-shaped oil-resistant rubber sealing rings are used for static sealing at each fixed sealing interface to ensure the reliability of the electric pump. The rotor shaft of the electric pump undergoes heat treatment to ensure superior mechanical strength, effectively enhancing its wear resistance and corrosion resistance, and also facilitating the maintenance and disassembly of the impeller.

This series of electric pumps is widely used in industrial, agricultural, mining, construction, municipal environmental protection, and other settings. They can pump liquids containing solid particles or soft solids such as short fibers, paper scraps, sediment, etc., including muddy water, ash water, domestic wastewater, sewage, manure, and urine. They are ideal water conservancy equipment for agricultural irrigation and drainage, river and pond dredging, and construction site operations, but are not suitable for explosive environments. Some specifications feature flow channel impellers, significantly enhancing the pump's anti-clogging capability. Others are designed based on the full head theory, enabling the electric pump to operate without overloading under normal conditions and effectively prolonging the service life of the motor.


WQ Wenzhou-Style Standard Flange Submersible Sewage Pump



Technical parameter

Product Model	Flow Rate	Head	Frequency	Synchronized Speed	Power	Pipe Diameter	Voltage
	(m ³ /h)	(m)	(Hz)	(r/min)	(kW)	(mm)	(V)
50WQ10-10-0.75	10	10	50	3000	0.75	50	380
50WQ7-15-1.1	7	15	50	3000	1.1	50	380
65WQ15-9-1.1	15	9	50	3000	1.1	65	380
50WQ15-15-1.5	15	15	50	3000	1.5	50	380
65WQ25-10-1.5	25	10	50	3000	1.5	65	380
50WQ9-22-2.2	9	22	50	3000	2.2	50	380
65WQ15-20-2.2	15	20	50	3000	2.2	65	380
80WQ45-9-2.2	45	9	50	3000	2.2	80	380
100WQ50-7-2.2	50	7	50	3000	2.2	100	380
50WQ15-30-3	15	30	50	3000	3	50	380
65WQ25-20-3	25	20	50	3000	3	65	380
80WQ50-10-3	50	10	50	3000	3	80	380
100WQ60-9-3	60	9	50	3000	3	100	380
50WQ15-35-4	15	35	50	3000	4	50	380
65WQ25-26-4	25	26	50	3000	4	65	380
80WQ40-15-4	40	15	50	3000	4	80	380
100WQ60-10-4	60	10	50	3000	4	100	380
50WQ15-40-5.5	15	40	50	3000	5.5	50	380
80WQ30-30-5.5	30	30	50	3000	5.5	80	380
100WQ65-18-5.5	65	18	50	3000	5.5	100	380
80WQ45-22-7.5	45	22	50	3000	7.5	80	380
100WQ80-15-7.5	80	15	50	3000	7.5	100	380
150WQ100-10-7.5	100	10	50	3000	7.5	150	380

WQ Wenzhou-Style Standard Flange Submersible Sewage Pump



Technical parameter

Product Model	Flow Rate	Head	Frequency	Synchronized Speed	Power	Pipe Diameter	Voltage
	(m ³ /h)	(m)	(Hz)	(r/min)	(kW)	(mm)	(V)
80WQ80-13-5.5	80	13	50	1450	5.5	80	380
100WQ110-10-5.5	110	10	50	1450	5.5	100	380
150WQ150-7-5.5	150	7	50	1450	5.5	150	380
80WQ80-20-7.5	80	20	50	1450	7.5	80	380
100WQ100-15-7.5	100	15	50	1450	7.5	100	380
150WQ145-9-7.5	145	9	50	1450	7.5	150	380
200WQ250-6-7.5	250	6	50	1450	7.5	200	380
100WQ100-25-11	100	25	50	1450	11	102	380
150WQ130-15-11	130	15	50	1450	11	152	380
200WQ300-7-11	300	7	50	1450	11	202	380
100WQ100-30-15	100	30	50	1450	15	102	380
150WQ180-15-15	180	15	50	1450	15	152	380
200WQ250-11-15	250	11	50	1450	15	202	380
100WQ100-35-18.5	100	35	50	1450	18.5	102	380
150WQ180-20-18.5	180	20	50	1450	18.5	152	380
200WQ250-15-18.5	250	15	50	1450	18.5	202	380
250WQ500-7-18.5	500	7	50	1450	18.5	252	380
100WQ100-40-22	100	40	50	1450	22	102	380
150WQ180-25-22	180	25	50	1450	22	152	380
200WQ250-18-22	250	18	50	1450	22	202	380
250WQ500-9-22	500	9	50	1450	22	252	380
100WQ120-45-30	120	45	50	1450	30	102	380
150WQ180-30-30	180	30	50	1450	30	152	380
200WQ300-22-30	300	22	50	1450	30	202	380
250WQ600-10-30	600	10	50	1450	30	252	380
300WQ850-7-30	850	7	50	1450	30	300	380
100WQ120-50-37	120	50	50	1450	37	100	380
150WQ180-37-37	180	37	50	1450	37	150	380
200WQ350-25-37	350	25	50	1450	37	200	380

WQ Wenzhou-Style Standard Flange Submersible Sewage Pump

4P/6P/8P

Technical parameter

Product Model	Flow Rate	Head	Frequency	Synchronized Speed	Power	Pipe Diameter	Voltage
	(m ³ /h)	(m)	(Hz)	(r/min)	(kW)	(mm)	(V)
250WQ600-12-37	600	12	50	1450	37	250	380
300WQ800-10-37	800	10	50	1450	37	300	380
350WQ1000-6-37	1000	6	50	1450	37	350	380
100WQ100-60-45	100	60	50	1450	45	100	380
150WQ180-45-45	180	45	50	1450	45	150	380
200WQ400-30-45	400	30	50	1450	45	200	380
250WQ600-15-45	600	15	50	1450	45	250	380
300WQ800-12-45	800	12	50	1450	45	300	380
350WQ1200-8-45	1200	8	50	1450	45	350	380
100WQ100-65-55	100	65	50	1450	55	100	380
150WQ200-50-55	200	50	50	1450	55	150	380
200WQ300-40-55	300	40	50	1450	55	200	380
250WQ600-20-55	600	20	50	1450	55	250	380
300WQ800-15-55	800	15	50	1450	55	300	380
350WQ1100-10-55	1100	10	50	1450	55	350	380
100WQ120-75-75	120	75	50	1450	75	100	380
150WQ200-60-75	200	60	50	1450	75	150	380
200WQ300-48-75	300	48	50	1450	75	200	380
250WQ600-25-75	600	25	50	1450	75	250	380
300WQ800-20-75	800	20	50	1450	75	300	380
350WQ1300-12-75	1300	12	50	1450	75	350	380
400WQ1800-10-75	1800	10	50	1450	75	400	380
100WQ120-85-90	120	85	50	1450	90	100	380
150WQ200-75-90	200	75	50	1450	90	150	380
200WQ300-55-90	300	55	50	1450	90	200	380
250WQ600-30-90	600	30	50	1450	90	250	380
300WQ800-25-90	800	25	50	1450	90	300	380
350WQ1500-15-90	1500	15	50	1450	90	350	380

WQ Wenzhou-Style Standard Flange Submersible Sewage Pump

4P/6P/8P

Technical parameter

Product Model	Flow Rate	Head	Frequency	Synchronized Speed	Power	Pipe Diameter	Voltage
	(m ³ /h)	(m)	(Hz)	(r/min)	(kW)	(mm)	(V)
400WQ1700-12-90	1700	12	50	980/6级	90	400	380
500WQ2000-10-90	2000	10	50	980/6级	90	500	380
100WQ100-100-110	100	100	50	1450/4级	110	100	380
150WQ180-80-110	180	80	50	1450/4级	110	150	380
200WQ300-65-110	300	65	50	1450/4级	110	200	380
250WQ600-40-110	600	40	50	1450/4级	110	250	380
300WQ1000-25-110	1000	25	50	1450/4级	110	300	380
350WQ1300-20-110	1300	20	50	1450/4级	110	350	380
350WQ1600-16-110	1600	16	50	980/6级	110	350	380
400WQ1500-17-110	1500	17	50	1450/4级	110	400	380
400WQ1800-15-110	1800	15	50	980/6级	110	400	380
500WQ2500-10-110	2500	10	50	980/6级	110	500	380
500WQ3000-8-110	3000	8	50	740/8级	110	500	380
600WQ3200-7-110	3200	7	50	980/6级	110	600	380
600WQ3800-6-110	3800	6	50	740/8级	110	600	380
150WQ200-90-132	200	90	50	1450/4级	132	150	380
200WQ400-75-132	400	75	50	1450/4级	132	200	380
250WQ600-50-132	600	50	50	1450/4级	132	250	380
300WQ800-36-132	800	36	50	1450/4级	132	300	380
350WQ1100-28-132	1100	28	50	1450/4级	132	350	380
350WQ1500-20-132	1500	20	50	980/6级	132	350	380
400WQ1700-16-132	1700	16	50	1450/4级	132	400	380
400WQ2000-15-132	2000	15	50	980/6级	132	400	380

WQ Wenzhou-Style Standard Flange Submersible Sewage Pump

4P/6P/8P

Technical parameter

Product Model	Flow Rate	Head	Frequency	Synchronized Speed	Power	Pipe Diameter	Voltage
	(m ³ /h)	(m)	(Hz)	(r/min)	(kW)	(mm)	(V)
500WQ2800-10-132	2800	10	50	980/6级	132	500	380
500WQ3100-10-132	3100	10	50	740/8级	132	500	380
600WQ3700-8-132	3700	8	50	980/6级	132	600	380
600WQ4000-8-132	4000	8	50	740/8级	132	600	380
150WQ220-100-160	220	100	50	1450/4级	160	150	380
200WQ400-85-160	400	85	50	1450/4级	160	200	380
250WQ600-60-160	600	60	50	1450/4级	160	250	380
300WQ800-40-160	800	40	50	1450/4级	160	300	380
350WQ1000-35-160	1000	35	50	1450/4级	160	350	380
350WQ1200-35-160	1200	35	50	980/6级	160	350	380
400WQ1600-20-160	1600	20	50	1450/4级	160	400	380
400WQ1600-22-160	1600	22	50	980/6级	160	400	380
500WQ2600-16-160	2600	16	50	980/6级	160	500	380
500WQ3000-14-160	3000	14	50	740/8级	160	500	380
600WQ3700-10-160	3700	10	50	980/6级	160	600	380
600WQ4000-10-160	4000	10	50	740/8级	160	600	380
150WQ200-110-185	200	110	50	1450/4级	185	150	380
200WQ400-90-185	400	90	50	1450/4级	185	200	380
250WQ400-90-185	400	90	50	1450/4级	185	250	380
300WQ900-40-185	900	40	50	1450/4级	185	300	380
400WQ1600-25-185	1600	25	50	1450/4级	185	400	380
400WQ2000-20-185	2000	20	50	980/6级	185	400	380
500WQ3000-15-185	3000	15	50	980/6级	185	500	380
600WQ3700-12-185	3700	12	50	980/6级	185	600	380

WQ Wenzhou-Style Standard Flange Submersible Sewage Pump

4P/6P/8P

Technical parameter

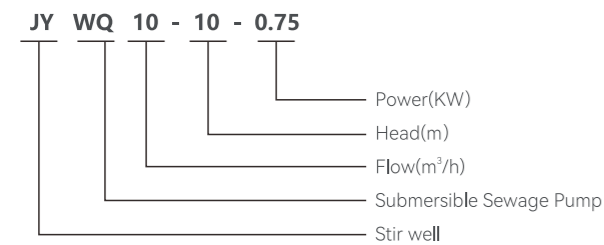
Product Model	Flow Rate	Head	Frequency	Synchronized Speed	Power	Pipe Diameter	Voltage
	(m ³ /h)	(m)	(Hz)	(r/min)	(kW)	(mm)	(V)
250WQ750-75-200	750	75	50	1450/4级	200	250	380
300WQ1000-45-200	1000	45	50	1450/4级	200	300	380
350WQ1300-35-200	1300	35	50	1450/4级	200	350	380
400WQ1500-30-200	1500	30	50	1450/4级	200	400	380
400WQ2300-22-200	2300	22	50	980/6级	200	400	380
500WQ3500-15-200	3500	15	50	980/6级	200	500	380
600WQ4500-12-200	4500	12	50	980/6级	200	600	380
300WQ1200-45-250	1200	45	50	1450/4级	250	300	380
350WQ1500-36-250	1500	36	50	1450/4级	250	350	380
400WQ1800-30-250	1800	30	50	1450/4级	250	400	380
400WQ2200-28-250	2200	28	50	980/6级	250	400	380
500WQ3000-21-250	3000	21	50	980/6级	250	500	380
600WQ4000-18-250	4000	18	50	980/6级	250	600	380
300WQ1000-55-315	1000	55	50	1450/4级	315	300	380
350WQ1500-45-315	1500	45	50	1450/4级	315	350	380
400WQ2000-36-315	2000	36	50	1450/4级	315	400	380
500WQ3500-25-315	3500	25	50	980/6级	315	500	380
600WQ4500-20-315	4500	20	50	980/6级	315	600	380
500WQ3000-35-400	3000	35	50	980/6级	400	500	380
600WQ5000-22-400	5000	22	50	980/6级	400	600	380
500WQ4000-32-550	4000	32	50	980/6级	550	500	380
600WQ5500-25-550	5500	25	50	980/6级	550	600	380

JYWQ National Standard Flange Automatic Mixing Submersible Sewage Pump

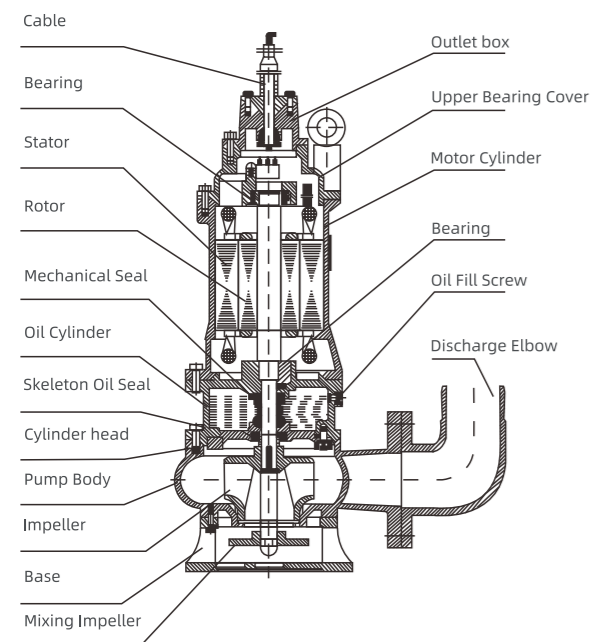
JYWQ National Standard Flange Automatic Mixing Submersible Sewage Pump



Model Description:



Product Chart:



Overview:

JYWQ automatic mixing submersible sewage pump series based on the versatile sewage pump, this series of electric pumps adopts an automatic mixing device that rotates with the motor shaft, generating strong mixing force. It mixes the sediments in the sewage tank into suspended matter, sucks them into the pump for discharge, improving the pump's anti-clogging and sewage discharge capabilities. It completes drainage, sewage cleaning, and silt removal in one step, saving operational costs. It is an environmentally friendly product with obvious advancements and practicality.

Use Range:

1. Drainage of severely polluted wastewater from factories and commercial facilities.
2. Drainage systems in urban sewage treatment plants, hospitals, and hotels.
3. Sewage drainage stations in residential areas.
4. Drainage stations in civil defense systems and water supply devices in water plants.
5. Municipal engineering and construction sites.
6. Auxiliary equipment for exploration, mining, and power plants.
7. Rural biogas pools, farmland irrigation, and dredging of rivers and ponds.

Technical parameter

Product Model	Flow Rate (m ³ /h)	Head (m)	Frequency (Hz)	Synchronized Speed (r/min)	Power (kW)	Pipe Diameter (mm)	Voltage (V)	Stir well for diameter (mm)
JYWQ10-10-0.75	10	10	50	3000	0.75	50	380	1200
JYWQ7-15-1.1	7	15	50	3000	1.1	50	380	1200
JYWQ15-9-1.1	15	9	50	3000	1.1	65	380	1200
JYWQ15-15-1.5	15	15	50	3000	1.5	50	380	1200
JYWQ25-10-1.5	25	10	50	3000	1.5	65	380	1200
JYWQ9-22-2.2	9	22	50	3000	2.2	50	380	1400
JYWQ15-20-2.2	15	20	50	3000	2.2	65	380	1400
JYWQ45-9-2.2	45	9	50	3000	2.2	80	380	1400
JYWQ50-7-2.2	50	7	50	3000	2.2	100	380	1400
JYWQ15-30-3	15	30	50	3000	3	50	380	1400
JYWQ25-20-3	25	20	50	3000	3	65	380	1400
JYWQ50-10-3	50	10	50	3000	3	80	380	1400
JYWQ60-9-3	60	9	50	3000	3	100	380	1400
JYWQ15-35-4	15	35	50	3000	4	50	380	1600
JYWQ25-26-4	25	26	50	3000	4	65	380	1600
JYWQ40-15-4	40	15	50	3000	4	80	380	1600
JYWQ60-10-4	60	10	50	3000	4	100	380	1600
JYWQ15-40-5.5	15	40	50	3000	5.5	50	380	1600
JYWQ30-32-5.5	30	32	50	3000	5.5	80	380	1600
JYWQ65-18-5.5	65	18	50	3000	5.5	100	380	1600
JYWQ45-22-7.5	45	22	50	3000	7.5	80	380	1800
JYWQ80-15-7.5	80	15	50	3000	7.5	100	380	1800
JYWQ100-10-7.5	100	10	50	3000	7.5	150	380	1800

WQ/WQD/JYWQ/JYWQD

Submersible Electric Pump for Sewage (Water Circulation)

Technical parameter



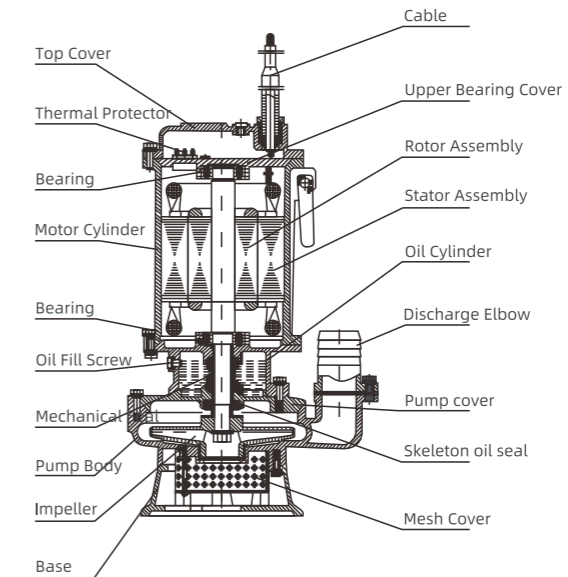
Product Model	Flow Rate	Head	Power	Synchronized Speed
	(m ³ /h)	(m)	(kW)	(r/min)
50-10-10-0.75	10	10	0.75	3000
50-8-15-1.1	8	15	1.1	3000
50-15-15-1.5	15	15	1.5	3000
50-10-18-1.5	10	18	1.5	3000
50-20-12-1.5	20	12	1.5	3000
50-15-20-2.2	15	20	2.2	3000
50-10-25-2.2	10	25	2.2	3000
50-20-15-2.2	20	15	2.2	3000
65-22-15-2.2	22	15	2.2	3000
80-30-12-2.2	30	12	2.2	3000
50-17-25-3	17	25	3	3000
50-25-20-3	25	20	3	3000
65-17-25-3	17	25	3	3000
65-25-20-3	25	20	3	3000
80-30-15-3	30	15	3	3000
50-25-28-4	25	28	4	3000
50-40-15-4	40	15	4	3000
65-25-28-4	25	28	4	3000
80-50-15-4	50	15	4	3000
100-70-10-4	70	10	4	3000
65-25-32-5.5	25	32	5.5	3000
80-50-17-5.5	50	17	5.5	3000
100-65-15-5.5	65	15	5.5	3000
65-25-38-7.5	25	38	7.5	3000
80-45-22-7.5	45	22	7.5	3000
100-60-20-7.5	60	20	7.5	3000

WQX

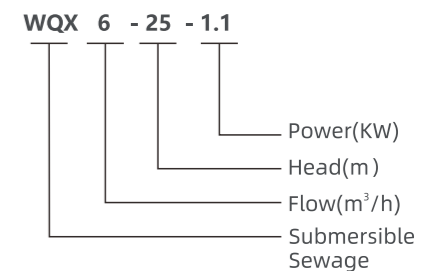
Taiwan-Style Engineering sewage submersible Sewage Pump



Product Chart:



Model Description:



Overview:

This series of electric pumps consists of three main components: a water pump, a sealing mechanism, and an electric motor. The electric motor, which can be single-phase or three-phase asynchronous, is located at the top of the pump. The water pump, situated at the bottom, features a flow channel impeller and a volute structure. A mechanical seal is employed between the water pump and the electric motor, and O-shaped oil-resistant rubber sealing rings are used for static sealing at each fixed sealing interface to ensure the reliability of the electric pump. The rotor shaft of the electric pump undergoes heat treatment to ensure superior mechanical strength, effectively enhancing its wear resistance and corrosion resistance, and also facilitating the maintenance and disassembly of the impeller.

This series of electric pumps is widely used in industrial, agricultural, mining, construction, municipal environmental protection, and other settings. They can pump liquids containing solid particles or soft solids such as short fibers, paper scraps, sediment, etc., including muddy water, ash water, domestic wastewater, sewage, manure, and urine. They are ideal water conservancy equipment for agricultural irrigation and drainage, river and pond dredging, and construction site operations, but are not suitable for explosive environments. Some specifications feature flow channel impellers, significantly enhancing the pump's anti-dogging capability. Others are designed based on the full head theory, enabling the electric pump to operate without overloading under normal conditions and effectively prolonging the service life of the motor.

Technical parameter

Product Model	Flow Rate	Head	Frequency	Synchronized Speed	Power	Pipe Diameter	Voltage
	(m ³ /h)	(m)	(Hz)	(r/min)	(kW)	(mm)	(V)
WQX6-25-1.1KW	6	25	50	2860	1.1	2	380
WQX10-24-1.5KW	10	24	50	2860	1.5	2	380
WQX10-34-2.2KW	10	34	50	2860	2.2	2	380
WQX10-44-3KW	10	44	50	2860	3	2	380
WQX15-45-4KW	15	45	50	2860	4	2	380
WQX15-55-5.5KW	15	55	50	2860	5.5	2	380
WQX12-72-7.5KW	12	72	50	2860	7.5	2	380
WQX15-95/3-9.2KW	15	95	50	2860	9.2	2	380
WQX15-110/4-11KW	15	110	50	2860	11	2	380

WQ WQ Silk mouth small sewage pump

Product Overview

WQ Submersible Sewage Pump is composed of three main parts: a water pump, a sealing mechanism, and an electric motor. The electric motor, which can be single-phase or three-phase asynchronous, is located at the top of the pump. The water pump, situated at the bottom, features a flow channel impeller and a volute structure. A mechanical seal is employed between the water pump and the electric motor, and "O"-shaped oil-resistant rubber sealing rings are used for static sealing at each fixed sealing interface. Its structural design is unique, compact, aesthetically pleasing, and advanced.

Product Features

1. The unique single-blade or double-blade impeller structure significantly enhances the pump's ability to pass contaminants, effectively allowing fibrous materials up to 5 times the pump's diameter and solid particles with a diameter of approximately 50% of the pump's inlet to pass through.
2. The overall structure is compact, with a small size and low noise. It offers significant energy-saving effects and is easy to maintain. There is no need to build a pump room, and it can operate by being submerged in water, greatly reducing project costs.
3. It can be used within the full head range without causing the motor to overload.

SKF Imported SKF bearings

Double-pass machine seal

Stainless steel shaft

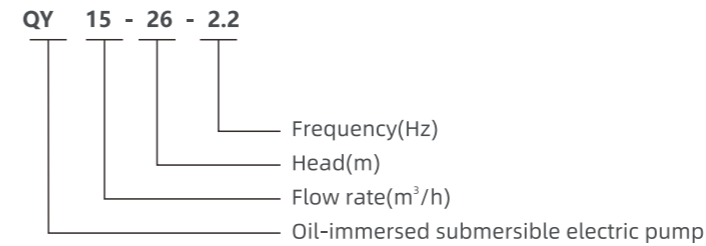
Technical parameter

Product Model	Flow Rate	Head	Frequency	Synchronized Speed	Power	Pipe Diameter	Voltage
	(m ³ /h)	(m)	(Hz)	(r/min)	(kW)	(mm)	(V)
50WQD10-10-0.75KW	10	10	50	2860	0.75	50	220
50WQD10-15-1.1KW	10	15	50	2860	1.1	50	220
80WQD40-7-1.1KW	40	7	50	2860	1.1	80	220
80WQD40-9-1.5KW	40	9	50	2860	1.5	80	220
100WQD50-7-1.5KW	50	7	50	2860	1.5	100	220
50WQ10-15-1.1KW	10	15	50	2860	1.1	50	380
80WQ40-7-1.1KW	40	7	50	2860	1.1	80	380
50WQ10-20-1.5KW	10	20	50	2860	1.5	50	380
80WQ40-9-1.5KW	40	9	50	2860	1.5	80	380
100WQ50-7-1.5KW	50	7	50	2860	1.5	100	380



QY Oil-immersed submersible pump (130 barrel)

Model Description:



Use Range:

1. The electric pump should be fully submerged in water for operation, with a minimum submergence depth of 0.5 meters (dynamic water level) during normal operation.
2. The submergence depth of the electric pump generally does not exceed 5 meters (dynamic water level).
3. Suitable for well water, river water, and lake water with a temperature not exceeding 40 degrees Celsius.
4. The working medium is non-corrosive clear water, with a volume ratio of solid particles not exceeding 0.1%.
5. Particle size is not greater than 0.2mm, and the pH value of the water is 6.5-8.5.
6. Power supply frequency is 50Hz, voltage is 380V, and the supply voltage is guaranteed to be within 342-420V.

Overview:

The QY oil-filled submersible electric pump consists of three main parts: a water pump, an electric motor, and sealing components. The water pump part, located at the top of the electric pump, comprises an impeller, a pump body, and a suction section. It can be single-stage or multi-stage, with the impeller fixed to the upper end of the shaft extension using nuts or cone sleeves. The electric motor part, situated at the bottom of the electric pump, is filled with No. 5-10 machine oil to facilitate heat dissipation, cooling of the motor windings, and lubrication of the bearings, making the electric pump suitable for rural areas with significant voltage fluctuations without causing the motor to burn out due to voltage loss.

The sealing part includes both dynamic and static seals. The dynamic seal is located above the motor bearing, within a seal cavity formed between the upper bearing bracket and the suction section, filled with No. 5-10 machine oil. Single-stage pumps mostly adopt double-end mechanical seals. The static seal is located at the mating surfaces of various components of the electric pump, using "O"-shaped rubber sealing rings. When the motor is connected to a 380V power supply, the stator generates a rotating magnetic field, causing the rotor to rotate, which drives the impeller to rotate. The high-speed rotation of the impeller generates pressure on the water, which then flows through the pump body and out through the discharge pipe.



QY Hangzhou oil-immersed submersible pump **145 Barrel**

Technical parameter

Product Model	Flow Rate	Head	Frequency	Voltage	Pipe diameter
	(m ³ /h)	(m)	(Hz)	(V)	(mm)
QY8.5-40/2-2.2	8.5	40	2.2	380	1.5
QY15-26-2.2	15	26	2.2	380	2
QY25-17-2.2	25	17	2.2	380	2.5
QY40-12-2.2	40	12	2.2	380	3
QY65-7-2.2	65	7	2.2	380	4
QY100-4.5-2.2	100	4.5	2.2	380	6
QY8.5-50/2-3	8.5	50	3	380	1.5
QY10-54/3-3	10	54	3	380	2
QY12.5-40-3	12.5	40	3	380	2
QY20-36/2-3	20	36	3	380	2.5

145 Barrel

Technical parameter

Product Model	Flow Rate	Head	Frequency	Voltage	Pipe diameter
	(m ³ /h)	(m)	(Hz)	(V)	(mm)
QY25-26-3	25	26	3	380	2.5
QY40-16-3	40	16	3	380	3
QY65-10-3Plastic pump heads	65	10	3	380	4
QY65-10-3	65	10	3	380	4
QY100-6-3	100	6	3	380	6
QY160-4-3Plastic pump heads	160	4	3	380	6
QY30-32-3.5	30	32	3.5	380	2.5
QY10-60/2-4	10	60	4	380	2
QY25-38/2-4	25	38	4	380	2
QY10-72/4-4	10	72	4	380	2
QY12.5-50-4	12.5	50	4	380	2
QY25-30-4	25	30	4	380	2.5
QY40-21-4	40	21	4	380	3
QY40-25-4	40	25	4	380	3
QY65-14-4	65	14	4	380	4
QY65-14-4Plastic pump heads	65	14	4	380	6

QY Hangzhou oil-immersed submersible pump

Technical parameter

Product Model	Flow Rate	Head	Frequency	Voltage	Pipe diameter
	(m ³ /h)	(m)	(Hz)	(V)	(mm)
QY160-9-4Plastic pump heads	160	9	4	380	6
QY160-9-4 New	160	9	4	380	6
QY200-5-4	200	5	4	380	8
QY10-85/3-5.5Explosion proof	10	85	5.5	380	2
QY18-65/3-5.5Explosion proof	18	65	5.5	380	2.5
QY25-40-5.5	25	40	5.5	380	2.5
QY40-28-5.5	40	28	5.5	380	3
QY65-18-5.5	65	18	5.5	380	4
QY100-12-5.5	100	12	5.5	380	6
QY200-6-5.5	200	6	5.5	380	8
QY10-110/4-7.5Explosion proof	10	110	7.5	380	2
QY18-85/4-7.5Explosion proof	18	85	7.5	380	2.5
QY25-50-7.5	25	50	7.5	380	2.5
QY25-65/2-7.5	25	65	7.5	380	2
QY40-38-7.5	40	38	7.5	380	3
QY60-25-7.5	60	25	7.5	380	4
QY100-17-7.5	100	17	7.5	380	6
QY200-9-7.5	200	9	7.5	380	8
QY400-5-7.5	400	5	7.5	380	10

QY Hangzhou oil-immersed submersible pump

Technical parameter

Product Model	Flow Rate	Head	Frequency	Voltage	Pipe diameter
	(m ³ /h)	(m)	(Hz)	(V)	(mm)
QY10-160/6-11Explosion proof	10	160	11	380	2
QY18-125/6-11Explosion proof	18	125	11	380	2.5
QY25-95/3-11	25	95	11	380	2.5
QY40-58/2-11	40	58	11	380	3
QY65-46/2-11	65	46	11	380	4
QY100-25-11	100	25	11	380	4
QY160-16-11	160	16	11	380	6
QY260-10-11	260	10	11	380	8
QY350-8-11	350	8	11	380	10
QY10-220/8-15Explosion proof	10	220	15	380	2
QY25-110/3-15	25	90	15	380	2.5
QY40-88/3-15	40	88	15	380	3
QY65-60/3-15	65	60	15	380	4
QY100-30-15	100	30	15	380	4
QY160-22-15	160	22	15	380	6
QY260-16-15 (210)	260	16	15	380	8
QY400-10-15 (210)	400	10	15	380	10
QY10-255/10-18.5	10	255	18.5	380	2
QY18-195/10-18.5	18	195	18.5	380	2.5
QY25-135/3-18.5	25	135	18.5	380	2.5
QY40-100/3-18.5	40	100	18.5	380	3
QY65-70/3-18.5	65	70	18.5	380	4
QY80-50-18.5	80	50	18.5	380	4
QY160-28-18.5	160	25	18.5	380	6
QY300-18-18.5	300	18	18.5	380	8
QY400-12-18.5	400	12	18.5	380	10
QY450-9-18.5	450	9	18.5	380	12
QY10-280/10-22	10	280	22	380	2
QY18-220/10-22	18	220	22	380	2.5
QY25-180/4-22	25	180	22	380	2.5
QY40-120/3-22	40	120	22	380	3
QY65-85/3-22	65	85	22	380	4
QY80-70/2-22	80	70	22	380	4
QY160-32-22	160	32	22	380	6
QY300-24-22	300	24	22	380	8
QY450-12-22	450	12	22	380	10
QY500-10-22	500	10	22	380	12

QY Hangzhou oil-immersed submersible pump

Technical parameter

Product Model	Flow Rate	Head	Frequency	Voltage	Pipe diameter
	(m ³ /h)	(m)	(Hz)	(V)	(mm)
QY40-160/4-30	40	160	30	380	3
QY65-105/4-30	65	105	30	380	4
QY80-90/2-30	80	90	30	380	4
QY100-72/2-30	100	72	30	380	4
QY160-46/2-30	160	46	30	380	6
QY260-28-30	260	28	30	380	8
QY400-18-30	400	18	30	380	10
QY40-200/5-37	40	200	37	380	3
QY65-130/5-37	65	130	37	380	4
QY80-110/2-37	80	110	37	380	4
QY100-90/3-37	100	90	37	380	4
QY160-55/2-37	160	55	37	380	6
QY200-45/2-37	200	45	37	380	6
QY260-32-37	260	32	37	380	8
QY400-22-37	400	22	37	380	10
QY600-15-37	600	15	37	380	12
QY65-180/3-45	65	180	45	380	4
QY80-135/3-45	80	135	45	380	4
QY160-65/2-45	160	65	45	380	6
QY200-60/2-45	200	60	45	380	6
QY300-42-45	300	42	45	380	8
QY500-25-45	500	25	45	380	10
QY600-20-45	600	20	45	380	12
QY450-5.5-11/4P	450	5.5	11	380	12
QY600-4.5-11/4P	600	4.5	11	380	14
QY450-7.5-15/4P	450	7.5	15	380	12
QY600-6.5-15/4P	600	6.5	15	380	14
QY600-7-18.5/4P	600	7	18.5	380	12
QY800-6-18.5/4P	800	6	18.5	380	14
QY600-9-22/4P	600	9	22	380	12
QY800-7.5-22/4P	800	7.5	22	380	14
QY900-7-30/4P	900	7	30	380	12
QY1200-5-30/4P	1200	5	30	380	14
QY1000-10-37/4P	1000	10	37	380	12
QY1250-8-37/4P	1250	8	37	380	14
QY1200-8-45/4P	1200	10	45	380	12
QY1600-5-45/4P	1600	5	45	380	14

WQ-S sewage Submersible pump(304 stainless steel)

304 Stainless Steel

Technical parameter

Product Model	Flow Rate	Head	Frequency	Synchronized speed	Power	Dia	Voltage	Stir well for diameter
	(m ³ /h)	(m)	(Hz)	(r/min)	(kW)	(mm)	(V)	(mm)
WQ8-16-0.75S	8	16	50	3000	0.75	40	380	1200
WQ10-10-0.75S	10	10	50	3000	0.75	50	380	1200
WQ15-10-1.1S	15	10	50	3000	1.1	50	380	1200
WQ15-12-1.5S	15	12	50	3000	1.5	50	380	1200
WQ25-7-1.5S	25	7	50	3000	1.5	50	380	1200
WQ15-20-2.2S	15	20	50	3000	2.2	50	380	1400
WQ25-15-2.2S	25	15	50	3000	2.2	65	380	1400
WQ40-9-2.2S	40	9	50	3000	2.2	80	380	1400
WQ50-7-2.2S	50	7	50	3000	2.2	100	380	1400
WQ15-25-3S	15	25	50	3000	3	50	380	1400
WQ25-20-3S	25	20	50	3000	3	65	380	1400
WQ40-15-3S	40	15	50	3000	3	80	380	1400
WQ50-10-3S	50	10	50	3000	3	100	380	1400
WQ15-32-4S	15	32	50	3000	4	50	380	1600
WQ25-25-4S	25	25	50	3000	4	65	380	1600
WQ40-18-4S	40	18	50	3000	4	80	380	1600
WQ50-15-4S	50	15	50	3000	4	100	380	1600
WQ20-32-5.5S	20	32	50	3000	5.5	50	380	1600
WQ30-25-5.5S	30	25	50	3000	5.5	65	380	1600
WQ50-18-5.5S	50	18	50	3000	5.5	80	380	1600
WQ80-10-5.5S	80	10	50	3000	5.5	100	380	1600
WQ100-7-5.5S	100	7	50	3000	5.5	150	380	1600
WQ20-40-7.5S	20	40	50	3000	7.5	50	380	1800
WQ30-32-7.5S	30	32	50	3000	7.5	65	380	1800
WQ45-22-7.5S	45	22	50	3000	7.5	80	380	1800
WQ80-15-7.5S	80	15	50	3000	7.5	100	380	1800
WQ100-10-7.5S	100	10	50	3000	7.5	150	380	1800



WQ(D)-S small sewage pump

Product Overview

The WQ(D)-S series fully stainless steel precision-cast submersible sewage and effluent electric pump adopts a unique single and double-channel impeller structure, significantly enhancing its ability to pass contaminants.

Product Features

1. The oil chamber employs a fluororubber double-end mechanical seal, while the outer chamber uses a single-end fluororubber mechanical seal structure, effectively reducing water ingress issues caused by wear on the rotating shaft due to friction between sediment and the shaft.
2. The motor is vacuum impregnated to achieve F-class insulation and equipped with a thermal protection device, effectively prolonging the service life of the pump.
3. It features a precision-cast pump casing, which is lightweight, corrosion-resistant, energy-efficient, aesthetically pleasing, hygienic, and environmentally friendly.
4. The electric pump is equipped with an overheat protector (<2.2kW) and a current protector (2.2~4KW) to prevent motor overload and heating.
5. Customizable corrosion-resistant cables, Teflon mechanical seals, and high-temperature resistant motors (for use in environments with liquid temperatures ≤100°C) are available upon special customer request.



Technical Data

Product Model	Flow Rate	Head	Frequency	Synchronized speed	Power	Pipe diameter	Voltage	Head range
	(m³/h)	(m)	(Hz)	(r/min)	(kW)	(mm)	(V)	
WQ(D)3-12-0.55S	3	12	50	3000	0.55	25	220/380	Full head
WQ(D)7-7-0.55S	7	7	50	3000	0.55	40	220/380	Full head
WQ(D)10-9-0.75S	10	9	50	3000	0.75	40	220/380	Full head
WQ(D)12-8-0.75S	12	8	50	3000	0.75	50	220/380	Full head
WQ(D)15-6-0.75S	15	6	50	3000	0.75	65	220/380	Full head
WQ(D)8-15-1.1S	8	15	50	3000	1.1	40	220/380	Full head
WQ(D)12-12-1.1S	12	12	50	3000	1.1	50	220/380	Full head
WQ(D)20-6-1.1S	20	6	50	3000	1.1	65	220/380	Full head
WQ(D)30-7-1.1S	30	7	50	3000	1.1	80	220/380	Full head

Q(D)X-S Small submersible pump

Product Overview

The Q(D)X-S fully stainless steel small submersible electric pump is precision-cast from stainless steel, corrosion-resistant, environmentally friendly, aesthetically pleasing, compact, and durable.

Product Features

1. It utilizes fluororubber double-end mechanical seals and fluororubber radial "O"-rings for effective sealing and protection in harsh liquid environments.
2. The motor is vacuum impregnated to achieve F-class insulation and equipped with an internal thermal protection device, significantly extending the service life of the pump.
3. Customizable corrosion-resistant cables, Teflon mechanical seals, and high-temperature resistant motors are available upon special customer request. (Suitable for use in environments with liquid temperatures ≤100°C).
4. The stainless steel closed-die forged and welded impeller greatly enhances the pump's head.



Technical Data

Product Model	Flow Rate	Head	Frequency	Synchronized speed	Power	Pipe diameter	Voltage	Head range
	(m³/h)	(m)	(Hz)	(r/min)	(kW)	(mm)	(V)	
QDX1.5-17-0.37S	1.5	17	50	3000	0.37	25	220/380	Full head
QDX3-18-0.55S	3	18	50	3000	0.55	25	220/380	Full head
QDX10-12-0.55S	10	12	50	3000	0.55	50	220/380	Full head
QDX3-25-0.75S	3	25	50	3000	0.75	25	220/380	Full head
QDX10-16-0.75S	10	16	50	3000	0.75	50	220/380	Full head

WBZ-S

Self-priming Corrosion-resistant Mini Electric Pump



Technical Data

Product Model	Flow Rate	Head	Power	Pipe diameter	stator	Front and Rear Bearings	Single-sided Oil Seal	Installation height	
	(m ³ /h)	(m)	(kW)	(mm)	(mm)				
25WBZ3-10S	8	4	11	0.25	3/4	96	6201x2	12x26	25
25WBZ3-18S	8	6	20	0.55	1	110	6202x2	14x28	28
25WBZ6-18S	8	8	19	0.75	1	110	6202x2	14x28	28
40WBZ10-18S	8	18	23	1.1	1.5	130	6205x2	20x35	30
40WBZ10-18S	8	20	25	1.5	1.5	130	6205x2	20x35	30
50WBZ13.5-20S	8	22	31	2.2	2	130	6205x2	25x40	30.5
50WBZ15-22S	8	23	30	3	2	130	6205x2	25x40	30.5

WBL-S

Centrifugal Corrosion-resistant Mini Electric Pump



Technical Data

Product Model	Flow Rate	Head	Power	Pipe diameter	stator	Front and Rear Bearings	Single-sided Oil Seal	Installation height
	(m ³ /h)	(m)	(kW)	(mm)	(mm)			
25WBL3-10S	4.5	10	0.25	1x3/4	96	6201x2	12x26	25
25WBL3-18S	8	15	0.55	1.5x1	110	6202x2	14x28	28
25WBL6-18S	10	22	0.75	1.5x1	110	6202x2	14x28	28
40WBL10-18S	19	20	1.1	2x1.5	130	6205x2	20x35	30
40WBL10-18S	22	26	1.5	2x1.5	130	6205x2	20x35	30
50WBL13.5-20S	20	31	2.2	2x1.5	145	6205x2	25x40	30.5
50WBL15-22S	25	31	3	2x1.5	145	6205x2	25x40	30.5

Coupling DN Self-coupling Device

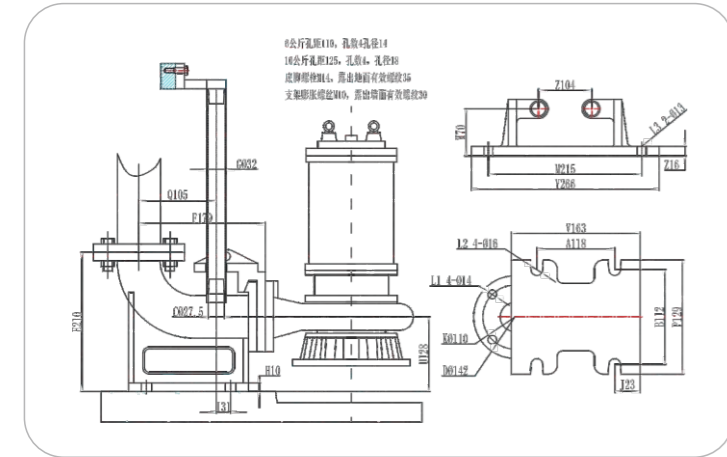


Technical Data

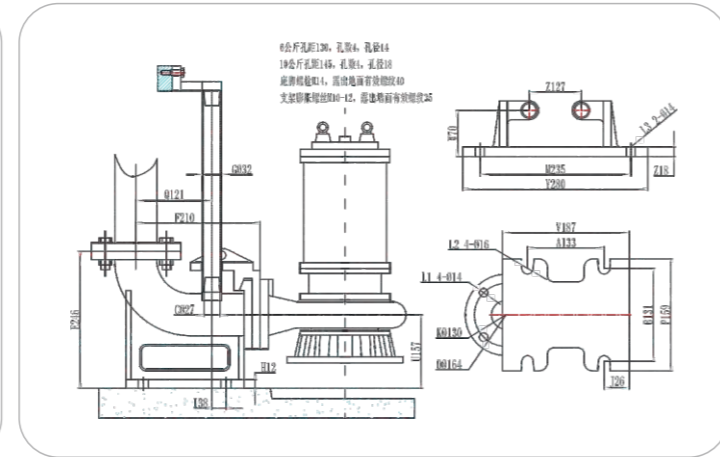
Type	Model	Conduit Model (inch)	Packaging	Remarks
light-duty	50Type	1	wooden box	The catheter is self-mating
	65Type	1	wooden box	The catheter is self-mating
	80Type	1.5	wooden box	The catheter is self-mating
	100Type	1.5	wooden box	The catheter is self-mating
	150Type	1.5	wooden box	The catheter is self-mating
Heavy type	40Type	1	wooden box	The catheter is self-mating
	50Type	1	wooden box	The catheter is self-mating
	65Type	1	wooden box	The catheter is self-mating
	80Type	1.5	wooden box	The catheter is self-mating
	100Type	1.5	wooden box	The catheter is self-mating
	150Type	1.5	wooden box	The catheter is self-mating
	200Type	1.5	wooden box	The catheter is self-mating
	250Type	1.5	wooden box	The catheter is self-mating
	300Type	2	No wooden case is brought	The catheter is self-mating
	350Type	2	No wooden case is brought	The catheter is self-mating
	400Type	2	No wooden case is brought	The catheter is self-mating
304 stainless steel	500Type	2.5	No wooden case is brought	The catheter is self-mating
	600Type	2.5	No wooden case is brought	The catheter is self-mating
	50Type	1	wooden box	The catheter is self-mating
	65Type	1.5	wooden box	The catheter is self-mating
	80Type	1.5	wooden box	The catheter is self-mating
	100Type	1.5	wooden box	The catheter is self-mating

Coupling Installation Diagram (Light Duty)

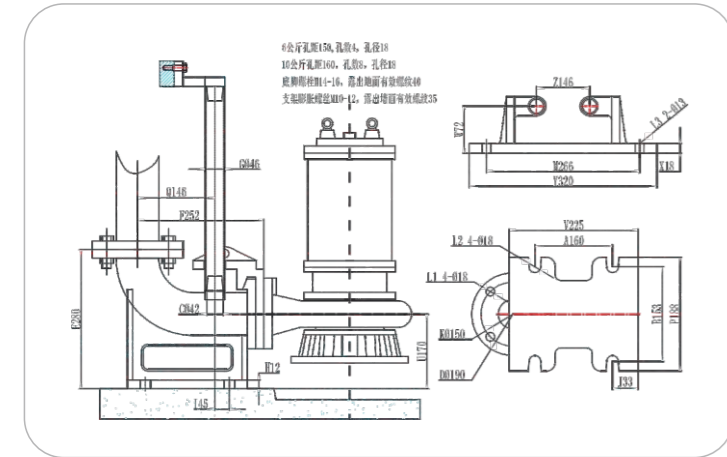
Light 50 coupling



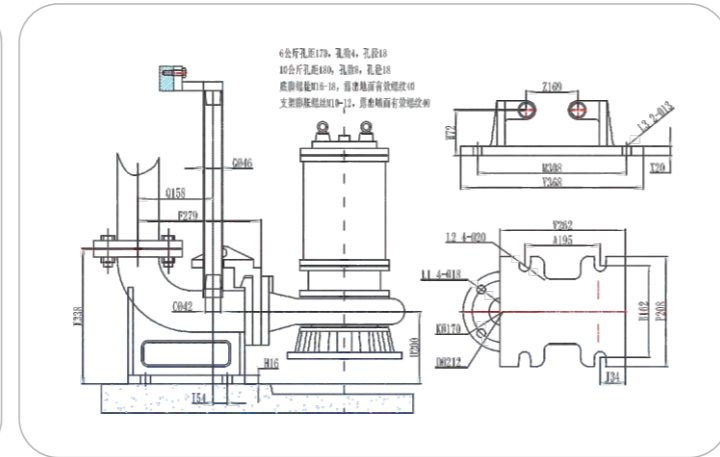
Light 65 coupling



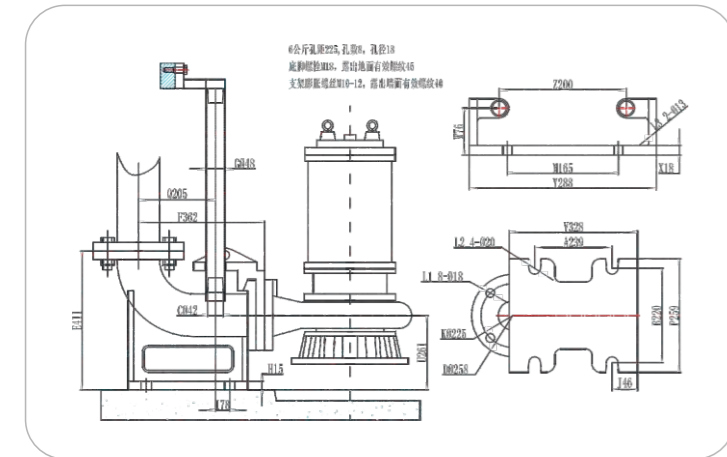
Light 80 coupling



Light 100 coupling

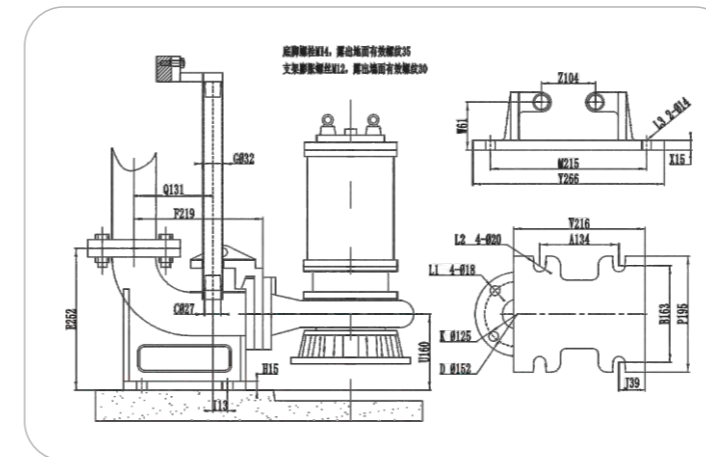


Elimination) Light 150 coupling

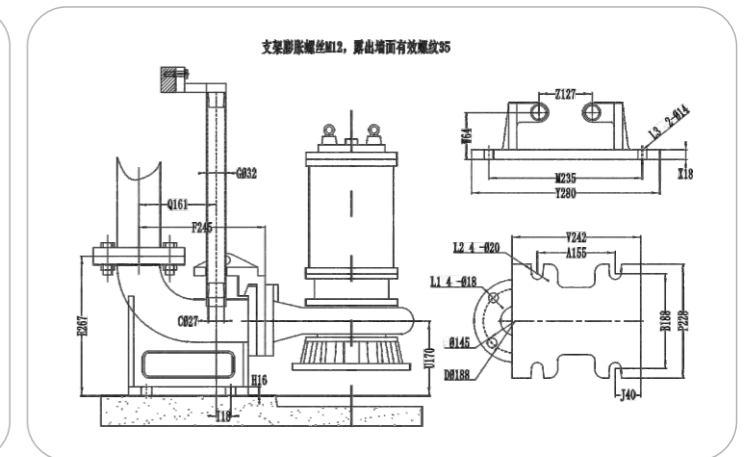


Coupling Installation Diagram (Extra Heavy/Heavy Duty)

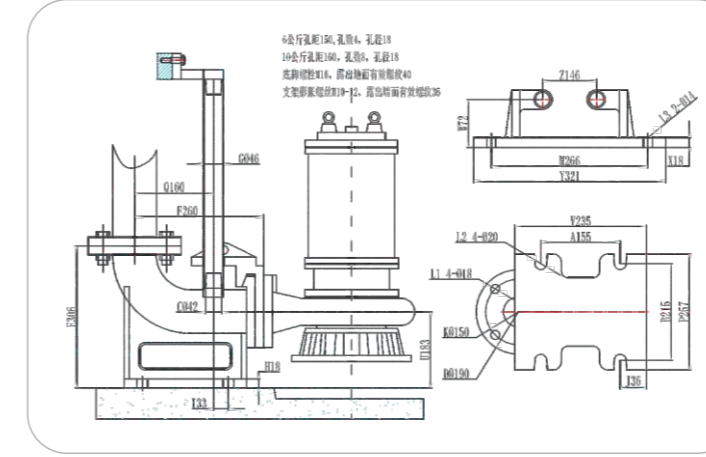
Extra heavy 50 coupling



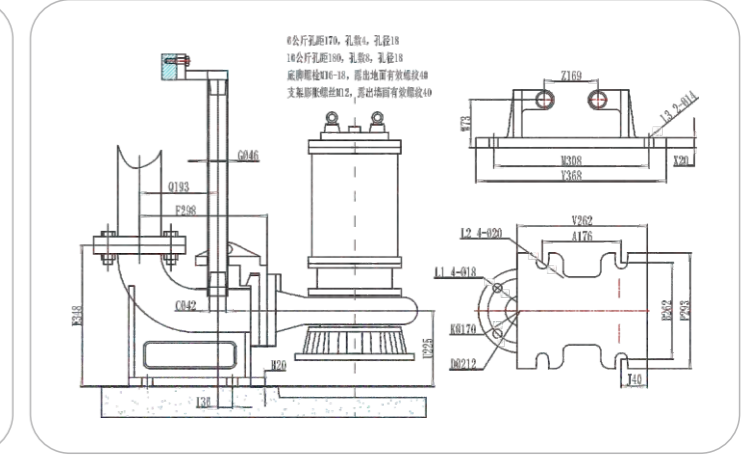
Extra heavy 65 coupling



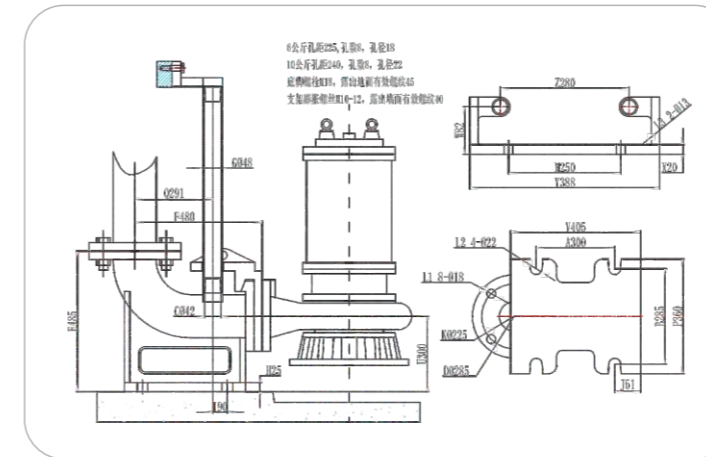
Heavy 80 coupling



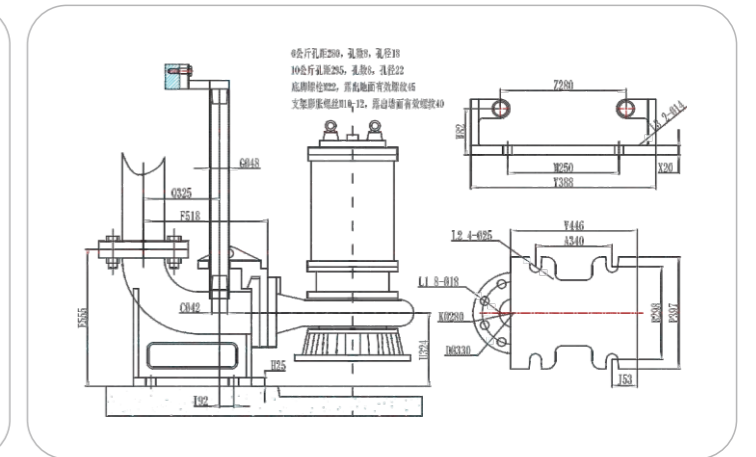
Double 100 coupling



Heavy A150 coupling

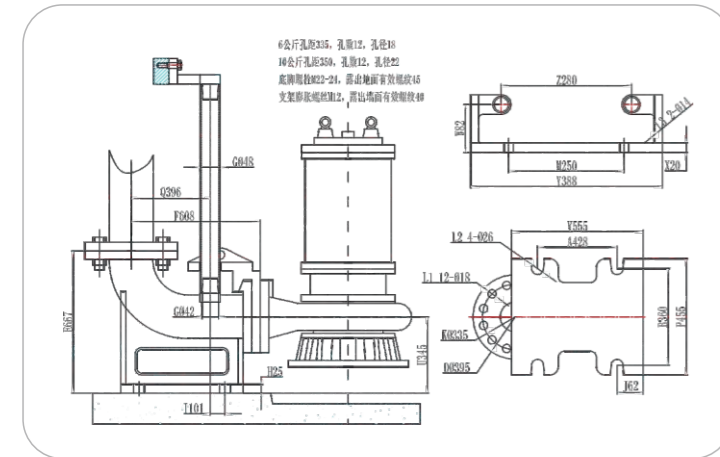


Weight 200 coupling

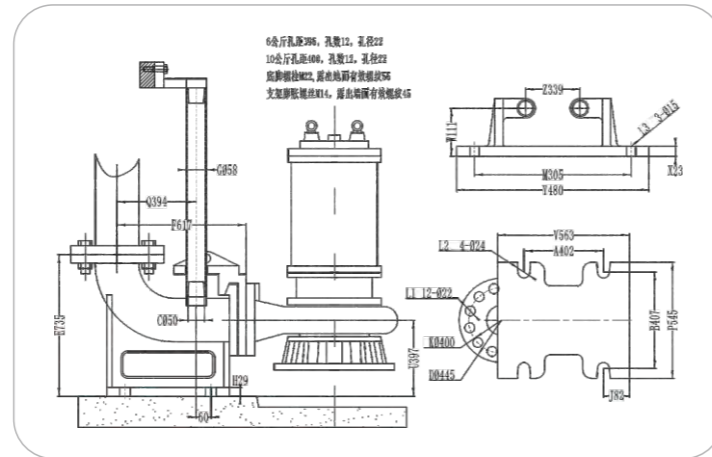


Coupling Installation Diagram (Heavy Duty)

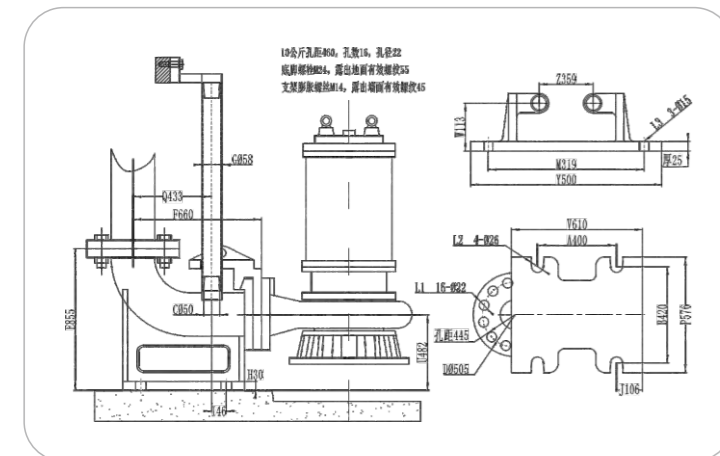
Weight 250 coupling



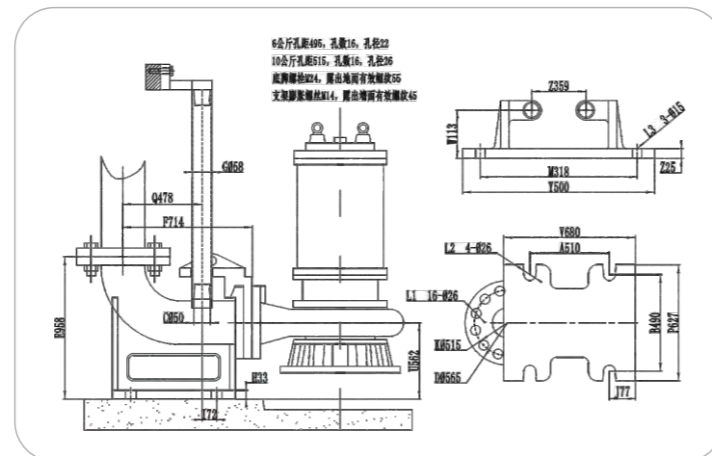
Weight 300 coupling



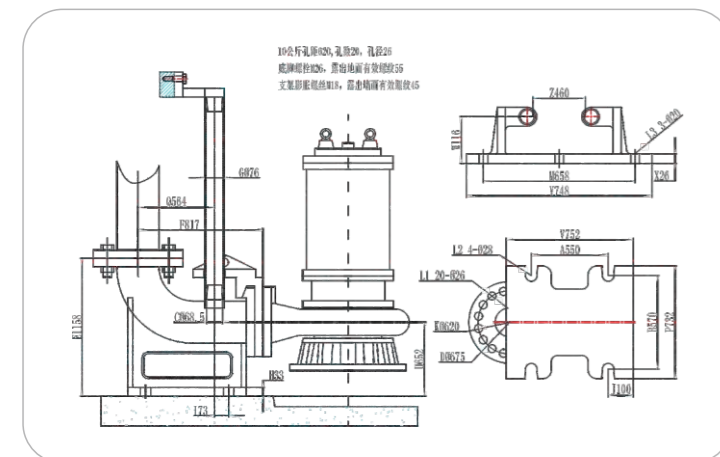
350 coupling



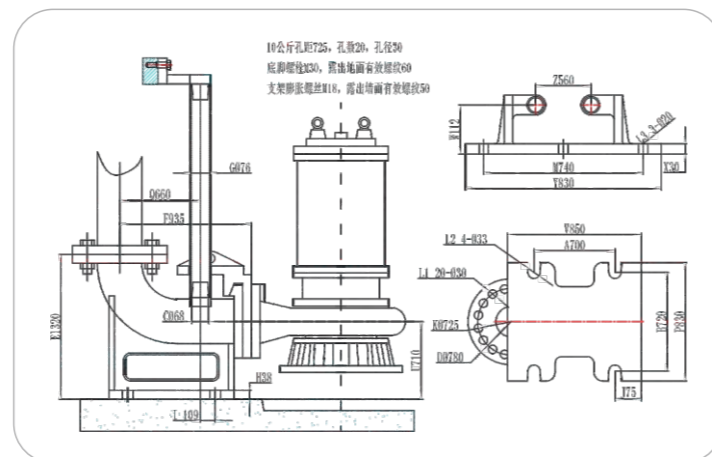
Weight 400 coupling



Weight 500 coupling



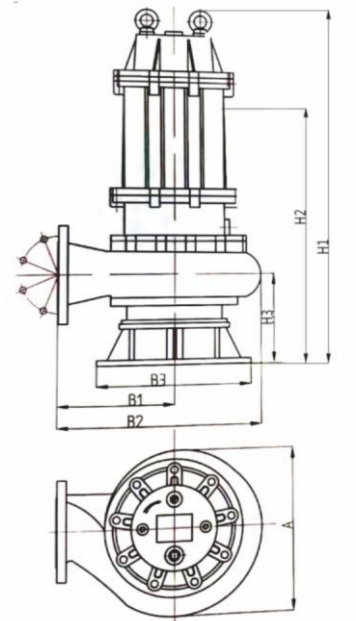
Weight 600 coupling



WQ Taiwanese sewage submersible pump installation diagram (0.75kw-22kw) 2P

Technical Data

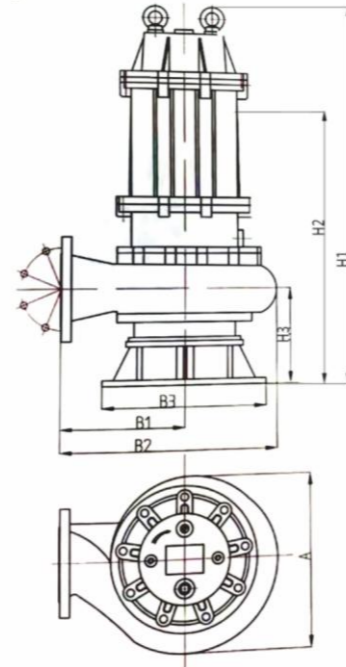
Model	B2	A	H1	H2	H3	B1	B3
50WQ10-10-0.75 KW	230	190	500	420	100	135	190
50WQ7-15-1.1 KW	230	190	540	460	110	140	190
65WQ15-9-1.1 KW	230	190	540	460	110	140	190
50WQ15-15-1.5 KW	260	220	610	530	135	150	230
65WQ25-10-1.5 KW	260	220	590	510	135	150	230
50WQ9-22-2.2 KW	275	230	650	570	140	160	230
65WQ15-20-2.2 KW	265	220	640	560	135	150	230
80WQ45-9-2.2 KW	280	230	660	580	145	160	230
100WQ50-7-2.2 KW	280	225	660	580	145	160	230
50WQ15-30-3 KW	260	220	680	600	137	155	230
65WQ25-20-3 KW	260	220	670	590	135	150	230
80WQ50-10-3 KW	290	220	690	610	145	175	230
100WQ60-9-3 KW	300	240	690	610	145	180	230
50WQ15-35-4 KW	270	240	680	600	140	150	230
65WQ25-26-4 KW	270	225	680	600	140	150	230
80WQ40-15-4 KW	295	235	690	610	140	180	230
100WQ60-10-4 KW	300	240	700	620	145	180	230
50WQ15-40-5.5 KW	310	260	720	640	130	180	260
65WQ25-32-5.5 KW	310	260	720	640	130	180	260
80WQ30-30-5.5 KW	310	260	720	640	130	180	260
100WQ65-18-5.5 KW	300	260	720	640	135	170	260
150WQ100-7-5.5 KW	330	275	740	660	143	200	260
50WQ20-40-7.5 KW	360	335	790	710	170	170	340
65WQ45-22-7.5 KW	330	335	790	710	178	190	340
80WQ45-22-7.5 KW	370	335	800	720	177	200	340
100WQ80-15-7.5 KW	380	335	800	720	180	210	340
150WQ100-10-7.5 KW	370	335	820	740	195	200	340
65WQ25-50-11KW	400	350	860	780	180	220	340
80WQ40-40-11KW	390	350	870	790	185	220	340
100WQ60-30-11KW	420	350	880	800	190	240	340
100WQ80-25-11KW	420	350	880	800	190	240	340
150WQ100-20-11KW	455	390	890	810	200	280	340
150WQ150-12-11KW	455	390	890	810	200	280	340
200WQ200-9-11KW	460	380	910	830	200	280	340
65WQ30-55-15KW	400	350	900	820	180	220	340
80WQ45-52-15KW	390	350	910	830	185	220	340
100WQ60-40-15KW	420	350	920	840	190	240	340
100WQ80-35-15KW	420	350	920	840	190	240	340
150WQ100-30-15KW	455	390	930	850	200	280	340
150WQ150-20-15KW	455	390	930	850	200	280	340
200WQ220-12-15KW	460	380	950	870	200	280	340
65WQ30-68-18.5KW	400	350	990	910	180	240	340
80WQ60-45-18.5KW	400	330	1000	920	190	240	340
100WQ80-40-18.5KW	430	360	1020	940	195	270	340
150WQ100-36-18.5KW	465	370	1030	950	200	285	340
200WQ180-18-18.5KW	500	400	1050	970	220	300	340
65WQ30-75-22KW	400	350	1020	940	180	240	340
80WQ60-50-22KW	440	330	1030	950	190	240	340
100WQ80-45-22KW	430	360	1050	970	195	270	340
150WQ100-40-22KW	465	370	1060	980	200	285	340
200WQ200-20-22KW	500	400	1080	1000	220	300	340



WQ Wenzhou type sewage submersible pump installation diagram (5.5kw-45kw) 4P

Technical Data

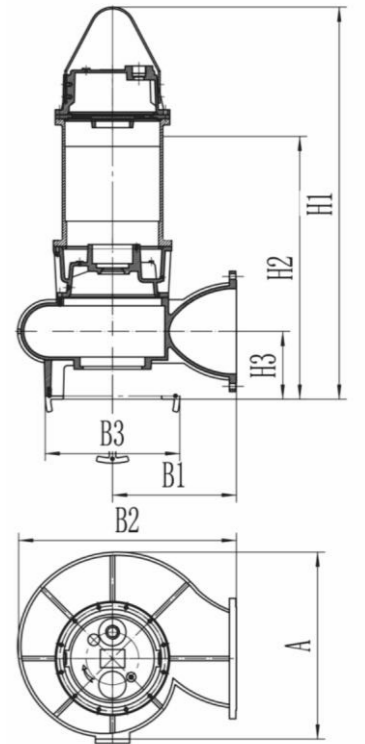
Model	B2	A	H1	H2	H3	B1	B3
80WQ80-13-5.5 4P	435	355	790	710	190	250	340
100WQ110-10-5.5 4P	345	380	820	740	200	250	340
150WQ150-7-5.5 4P	485	400	840	760	210	270	340
80WQ80-20-7.5 4P	435	355	820	740	190	250	340
100WQ100-15-7.5 4P	345	380	830	750	200	250	340
150WQ145-9-7.5 4P	485	400	860	780	210	270	340
200WQ250-6-7.5 4P	485	400	860	780	210	275	340
100WQ100-25-11 4P	520	400	920	840	210	300	380
150WQ130-15-11 4P	520	410	960	880	225	310	380
200WQ300-7-11 4P	540	430	960	880	225	330	380
100WQ100-30-15 4P	520	440	960	880	210	300	380
150WQ180-15-15 4P	520	410	1000	920	225	310	380
200WQ250-11-15 4P	540	430	1000	920	225	330	380
100WQ100-35-18.5 4P	560	440	1100	1020	245	330	380
150WQ180-20-18.5 4P	560	440	1100	1020	245	330	380
200WQ250-15-18.5 4P	570	450	1100	1020	235	350	380
100WQ100-40-22 4P	550	430	1060	980	215	310	380
150WQ180-25-22 4P	560	440	1100	1020	245	330	380
200WQ300-18-22 4P	570	450	1100	1020	235	350	380
250WQ500-7-22 4P	580	500	1110	930	235	330	380
100WQ120-45-30 4P	640	500	1120	1140	270	390	470
150WQ180-30-30 4P	640	500	1230	1150	290	390	470
200WQ300-22-30 4P	690	570	1220	1140	250	410	470
250WQ600-10-30 4P	700	580	1280	1200	290	420	470
300WQ850-7-30 4P	700	580	1280	1200	290	420	470
100WQ120-50-37 4P	670	530	1220	1140	250	400	470
150WQ200-30-37 4P	640	500	1330	1250	290	390	470
200WQ300-20-37 4P	640	500	1330	1250	270	390	470
250WQ600-12-37 4P	690	570	1280	1200	270	410	470
300WQ800-10-37 4P	700	680	1330	1250	290	420	470
100WQ100-57-45 4P	670	530	1220	1140	250	400	470
150WQ180-45-45 4P	640	500	1330	1250	290	390	470
200WQ250-35-45 4P	640	500	1330	1250	270	390	470
250WQ800-12-45 4P	690	570	1280	1200	270	410	470
300WQ800-12-45 4P	700	680	1330	1250	290	420	470
350WQ1500-7-45 4P	700	590	1340	1260	290	420	470



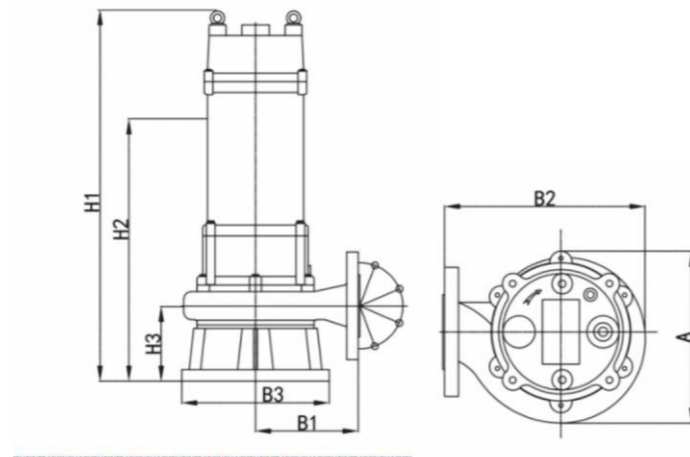
WQ Taiwanese sewage submersible pump installation drawing (55kw-132kw) 4P

Technical Data

Model	B2	A	H1	H2	H3	B1	B3
100WQ00-65-55 4P	650	510	1670	1310	310	360	-
150WQ200-50-55 4P	610	510	1630	1280	270	350	470
200WQ300-40-55 4P	650	530	1650	1300	280	300	470
250WQ300-40-55 4P	730	600	1590	1240	220	430	-
250WQ600-20-55 4P	710	610	1650	1300	250	400	-
300WQ800-15-55 4P	850	700	1720	1370	270	490	-
350WQ1100-10-55 4P	870	740	1730	1380	280	500	-
100WQ120-75-75 4P	750	650	1560	1290	150	430	-
150WQ200-60-75 4P	730	620	1660	1320	200	450	-
200WQ300-48-75 4P	830	700	1720	1380	250	460	-
250WQ600-25-75 4P	820	680	1730	1390	270	470	-
300WQ800-20-75 4P	760	620	1740	1400	250	450	-
350WQ1200-13-75 4P	870	720	1800	1460	280	500	-
400WQ1800-10-75 4P	90	790	1820	1480	310	520	-
100WQ120-85-90 4P	750	650	1640	1360	150	430	-
150WQ200-70-90 4P	730	620	1720	1380	200	450	-
200WQ400-60-90 4P	830	700	1780	1440	250	460	-
250WQ600-30-90 4P	820	680	1790	1450	270	470	-
300WQ950-20-90 4P	760	620	1800	1460	250	450	-
350WQ1500-15-90 4P	870	720	1860	1520	280	500	-
400WQ1700-12-90 4P	940	790	1900	1560	310	520	-
500WQ2000-10-90 6P	-	-	-	-	-	-	-
100WQ100-100-110 4P	-	-	-	-	-	-	-
150WQ180-80-110 4P	900	730	2030	1450	240	530	-
200WQ300-65-110 4P	900	730	2030	1450	240	530	-
250WQ600-40-110 4P	850	680	2050	1470	210	530	-
300WQ1000-25-110 4P	830	730	2090	1510	265	475	-
350WQ1300-20-110 4P	960	890	2120	1540	270	540	-
400WQ1500-17-110 4P	-	-	-	-	-	-	-
500WQ2500-10-110 6P	-	-	-	-	-	-	-
600WQ3200-7-110 6P	-	-	-	-	-	-	-
150WQ200-90-132 4P	900	730	2030	1450	240	530	-
200WQ400-75-132 4P	900	730	2030	1450	240	530	-
250WQ600-50-132 4P	850	680	2050	1470	210	530	-
300WQ800-36-132 4P	830	730	2090	1510	265	475	-
350WQ1100-28-132 4P	960	890	2120	1540	270	540	-
400WQ1700-16-132 4P	-	-	-	-	-	-	-
500WQ3100-10-132 6P	-	-	-	-	-	-	-
600WQ4000-8-132 6P	-	-	-	-	-	-	-



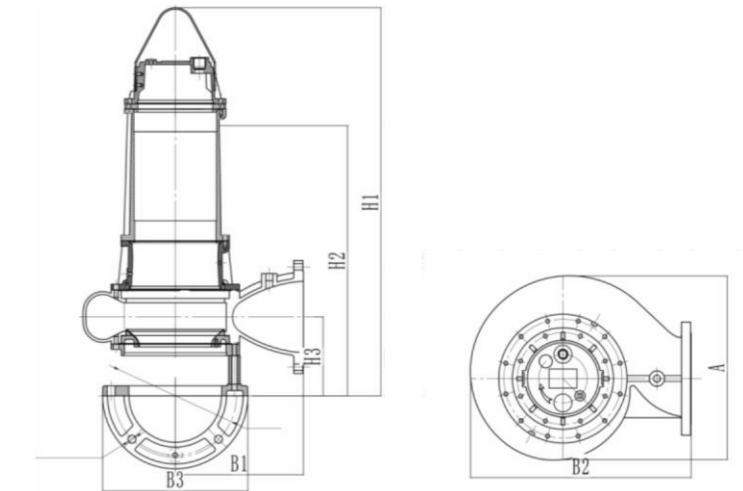
SLWQTaiwan-style Cutter Sewage Pump Installation drawing (0.75kw-15kw)2P



Technical Data

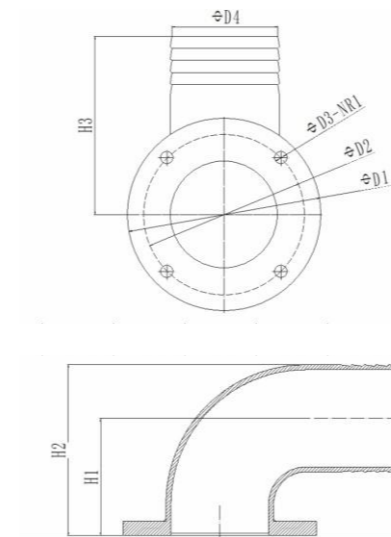
Model	B2	A	H1	H2	H3	B1	B3
50SLWQ10-10-0.75KW	235	200	490	410	100	130	190
50SLWQ7-15-1.1KW	235	200	510	430	100	130	190
50SLWQ15-15-1.5KW	285	225	560	500	125	165	230
65SLWQ25-10-1.5KW	285	225	560	500	125	165	230
50SLWQ9-22-2.2KW	285	225	580	500	125	165	230
65SLWQ15-20-2.2KW	290	225	610	530	125	170	230
80SLWQ45-9-2.2KW	290	225	610	530	125	170	230
50SLWQ15-25-3KW	290	225	640	560	125	170	230
65SLWQ25-20-3KW	290	225	640	560	125	170	230
80SLWQ43-13-3KW	290	225	640	560	125	170	230
100SLWQ60-9-3KW	290	225	640	560	125	170	230
50SLWQ15-30-4KW	300	240	660	580	130	175	230
65SLWQ20-25-4KW	300	240	660	580	130	175	230
80SLWQ40-15-4KW	300	240	660	580	130	175	230
100SLWQ60-10-4KW	300	240	660	600	130	175	230
65SLWQ25-32-5.5KW	320	270	720	640	160	190	270
80SLWQ30-30-5.5KW	320	270	720	640	160	190	270
100SLWQ65-18-5.5KW	320	270	720	640	160	190	270
80SLWQ45-22-7.5KW	340	280	770	690	160	200	270
100SLWQ80-15-7.5KW	340	280	770	690	160	200	270
150SLWQ100-10-7.5KW	340	280	770	690	160	200	270
50SLWQ20-45-11KW	420	350	800	720	175	240	330
65SLWQ30-40-11KW	420	350	800	720	175	240	330
80SLWQ40-35-11KW	420	350	800	720	190	260	330
100SLWQ80-25-11KW	420	350	800	720	190	260	330
150SLWQ150-12-11KW	420	350	800	720	190	260	330
200SLWQ200-9-11KW	430	360	800	720	190	270	330
50SLWQ20-50-15KW	420	350	830	750	175	240	330
65SLWQ30-35-15KW	420	350	830	750	175	240	330
80SLWQ45-40-15KW	420	350	830	750	190	260	330
100SLWQ80-35-15KW	420	350	830	750	190	260	330
150SLWQ150-20-15KW	420	350	830	750	190	260	330
200SLWQ220-12-15KW	430	360	830	750	190	270	330

SLWQTaiwan-style Cutter Sewage Pump Installation drawing (11kw-22kw)4P



Technical Data

Model	B2	A	H1	H2	H3	B1	B3
100SLWQ100-25-11KW 4P	540	420	1150	720	220	220	330
150SLWQ180-11-11KW 4P	540	430	1150	720	220	220	330
200SLWQ300-7-11KW 4P	560	420	1150	720	230	230	360
100SLWQ100-30-15KW 4P	540	420	1190	760	220	220	330
150SLWQ200-15-15KW 4P	540	430	1190	760	220	220	330
200SLWQ250-11-15KW 4P	560	420	1190	760	230	230	360
100SLWQ100-35-18.5KW 4P	540	420	1280	810	220	220	330
150SLWQ180-20-18.5KW 4P	540	430	1280	810	220	220	330
200SLWQ250-10-18.5KW 4P	560	420	1280	810	230	230	360
100SLWQ100-40-22KW 4P	540	420	1280	810	220	220	330
150SLWQ200-22-22KW 4P	540	420	1280	810	220	220	330
200SLWQ300-16-22KW 4P	560	420	1280	810	230	230	360



Water pump outlet Installation drawing

Technical Data

Model	H1	H2	H3	D1	D2	D3	D4
50	60	90	105	140	110	14-4	48
65	65	105	120	160	130	14-4	60
80	65	110	135	190	150	18-4	75
100	100	155	155	210	170	18-4	100
150	170	200	215	270	225	18-8	150
200	178	270	270	320	280	18-8	200
250	210	335	325	395	350	22-12	250